


MAX PLATFORM LOAD RATING:
50 KG (size 2) 100 KG (sizes 3, 4 & 5)
150 KG (sizes 1, 6 & 7)

**PLEASE REFER TO VEHICLE MANUFACTURER SPECIFICATIONS FOR MAX ROOF LOAD RATING
(TOTAL LOAD EQUALS WEIGHT OF LEGS + PLATFORM + CARGO)**

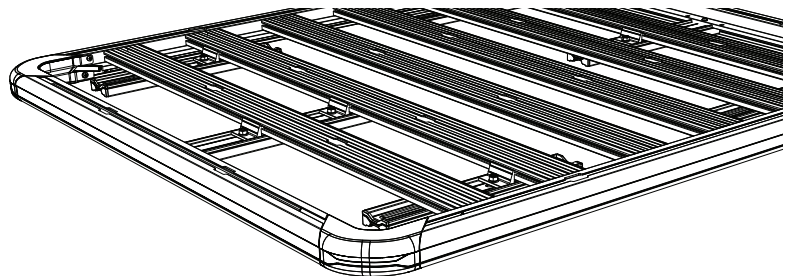

VEHICLE FIT KIT SOLD SEPARATELY

FIRST TIME INSTALLATION

- Please read instructions carefully before installation.
- Check the contents of kit. Contact your dealer if any parts appear missing or damaged.
- Clean your vehicle roof prior to fitting the Platform.
- Use caution when handling Platform Sides, Ends and Slats as sharp edges may be present.
- Images throughout show a 6 Slat Platform, indicative of Platform sizes 3, 4 and 5. Please note other Platforms will have differing amounts of slats and hardware.
- Place these instructions in the vehicle's glove box after installation is complete.

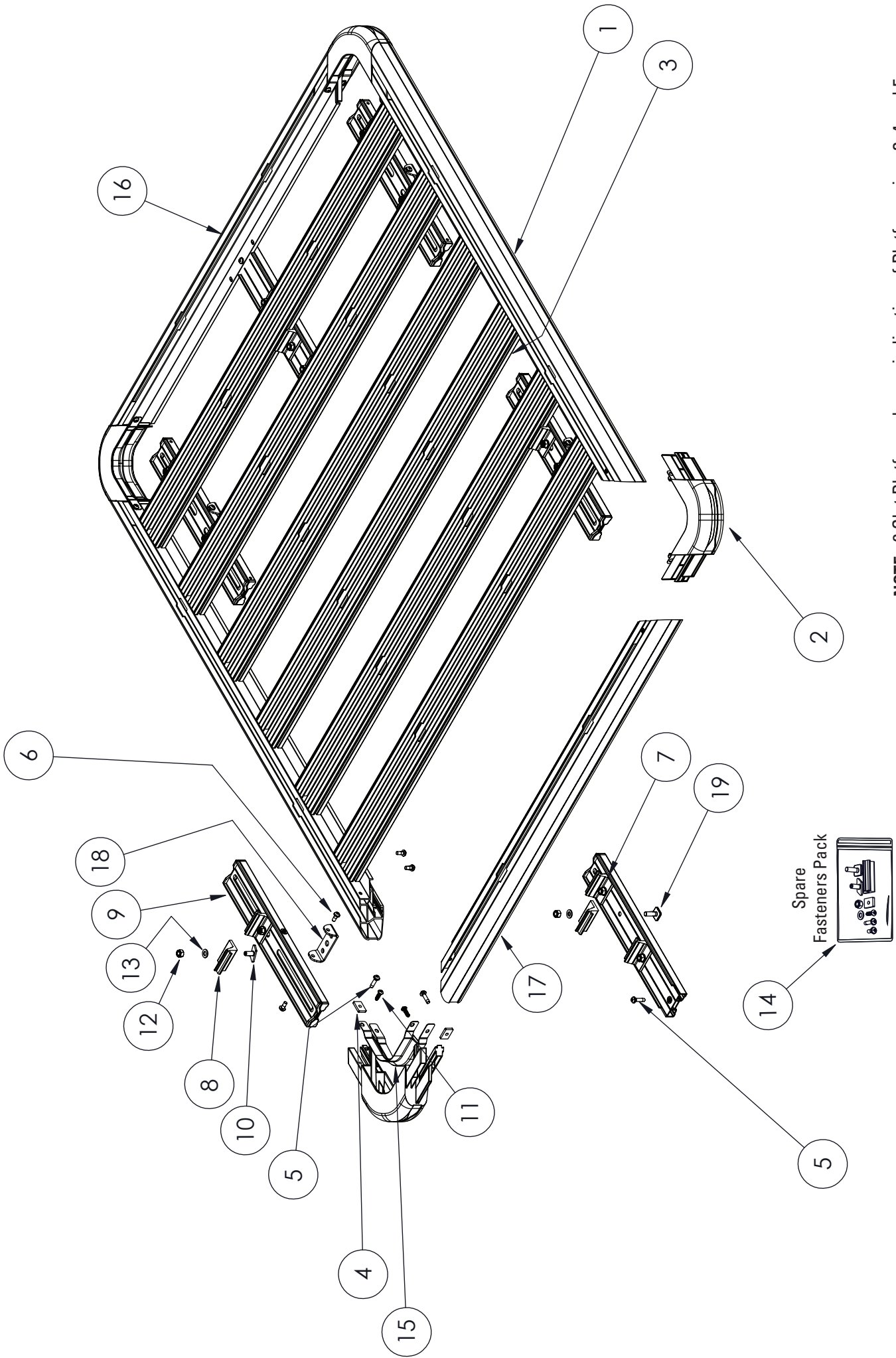

TOOLS REQUIRED:

- 4 mm Ball End Allen Key or Torque Wrench
- 13 mm Socket Wrench or Spanner



KIT CONTENTS

ITEM	COMPONENT	Platform	Platform	Platform	Platform	Platform	Platform	Platform
		1 1380 x 1930 mm	2 1570 x 805 mm	3 1570 x 1400 mm	4 1236 x 1400 mm	5 1376 x 1400 mm	6 1376 x 2128 mm	7 1485 x 2128 mm
1.	Platform Side Left & Right	x2	x2	x2	x2	x2	x2	x2
2.	Platform Corner	x4	x4	x4	x4	x4	x4	x4
3.	Slat	x9	x3	x6	x6	x6	x10	x10
4.	M6 Tee Nut	x8	x8	x8	x8	x8	x8	x8
5.	M6 Capscrew 25 mm with Washer	x10	x10	x10	x10	x10	x10	x10
6.	M6 Capscrew 16 mm with Washer	x48	x18	x32	x32	x32	x52	x52
7.	Platform Support Front and Rear	x2	x1	x2	x2	x2	x2	x2
8.	Slat Clamp	x18	x12	x14	x14	x14	x18	x18
9.	Mounting Block	x6	x2	x4	x4	x4	x6	x6
10.	M8 T Bolt	x12	x8	x8	x8	x8	x12	x12
11.	M6 Thread Forming Screw 20 mm	x8	x8	x8	x8	x8	x8	x8
12.	M8 Nylon-Insert Lock Nut	x18	x12	x14	x14	x14	x18	x18
13.	M8 Washer	x18	x12	x14	x14	x14	x18	x18
14.	Spare Fasteners Pack	x1	x1	x1	x1	x1	x1	x1
15.	Platform Corner Brace	x4	x4	x4	x4	x4	x4	x4
16.	Platform Rear	x1	x1	x1	x1	x1	x1	x1
17.	Platform Front	x1	x1	x1	x1	x1	x1	x1
18.	Leg Mounting Bracket	x6	x4	x4	x4	x4	x6	x6
19.	Square T Bolt M8 x 25	x6	x4	x6	x6	x6	x6	x6

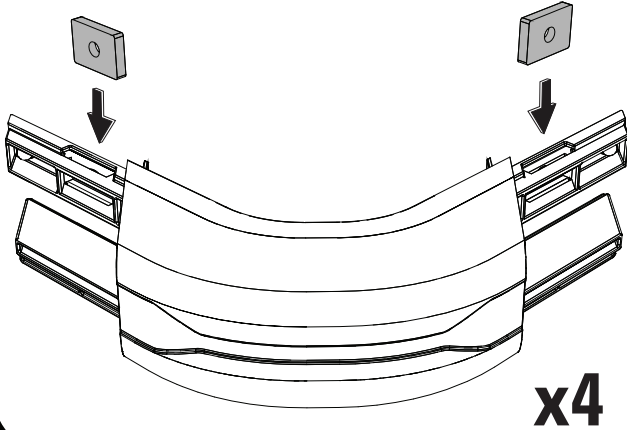


NOTE - 6 Slat Platform shown, indicative of Platform sizes 3, 4 and 5.

PLATFORM ASSEMBLY

1 INSERT NUTS INTO PLATFORM CORNERS

Insert 2 x M6 Tee Nuts into each Corner piece as shown.



2 FLIP SIDES & ENDS UPSIDE DOWN

Clear a work area that will be large enough for the Platform when fully assembled.

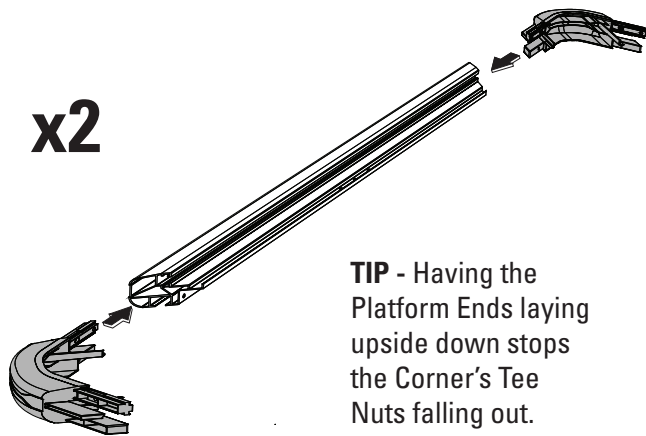
Place Platform Ends and Sides upside down in this work space (use logos as reference).



TIP - To prevent scratching, place a blanket (or the Platform's carton, flattened out) over the work area.

3a ASSEMBLE PLATFORM ENDS

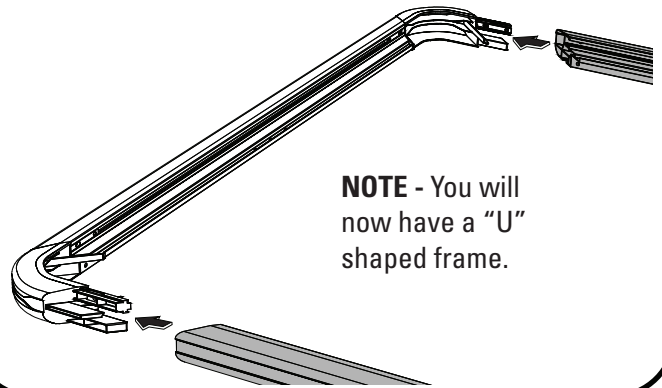
Insert Platform Corners into Platform Ends. Push firmly until fully inserted.



TIP - Having the Platform Ends laying upside down stops the Corner's Tee Nuts falling out.

3b ASSEMBLE PLATFORM ENDS AND SIDES

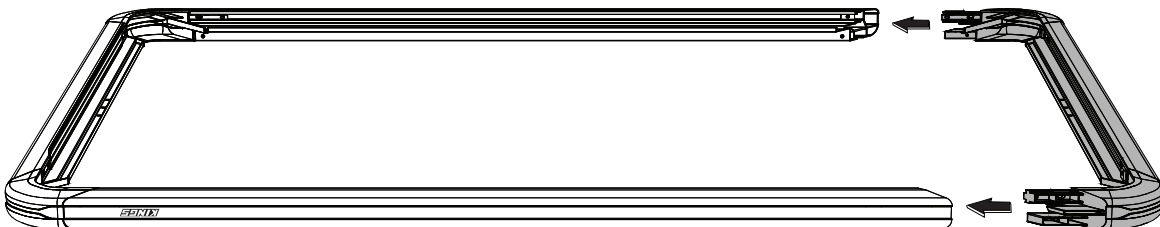
Take one of the Platform End assemblies created in Step 3a, and fit the Platform Sides to the corners. Push firmly until fully inserted.



3c COMPLETE PLATFORM PERIMETER

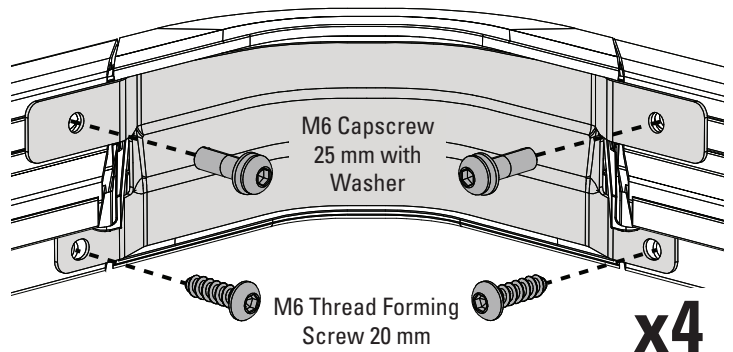
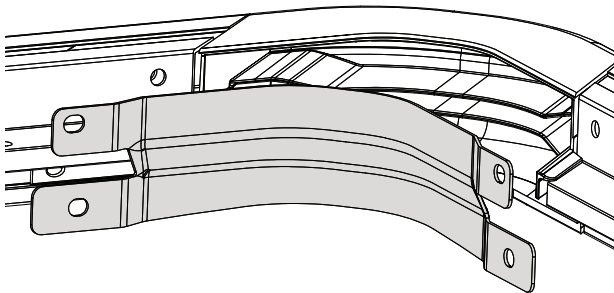
Connect remaining End assembly to the Sides as shown below - this completes the four sides of the Platform's perimeter.

Leave Platform Perimeter **upside down** for Steps 4-7.

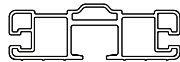


4**INSTALL CORNER BRACES**

Secure Corner Braces to all four Corner Pieces using 2 x M6 Capscrew 25 mm with Washer and 2 x M6 Thread Forming Screw 20 mm as shown. Tighten all screws to 4 Nm with a 4 mm Ball End Allen Key or a suitable Torque Wrench.

**5****INSTALL SLATS**

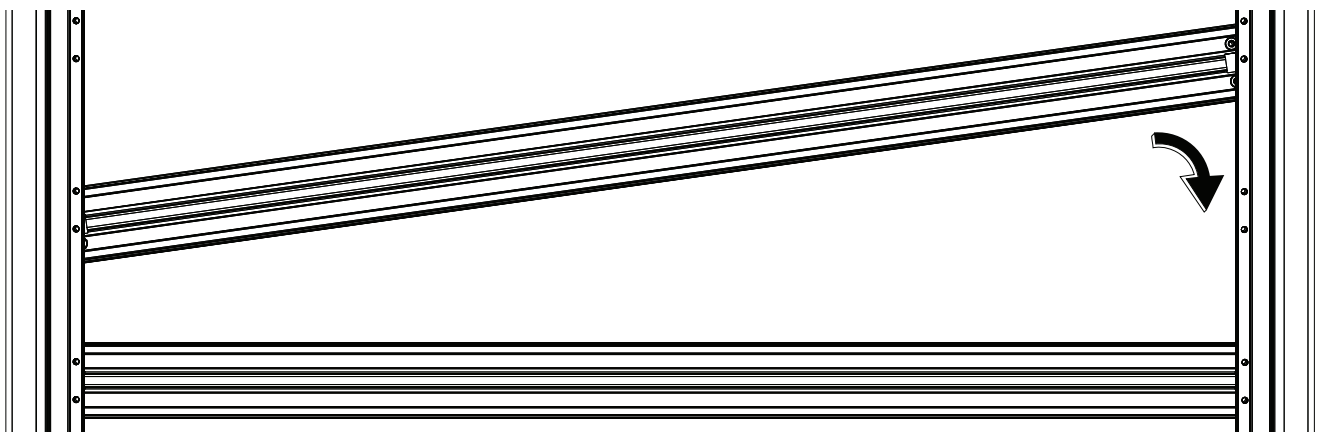
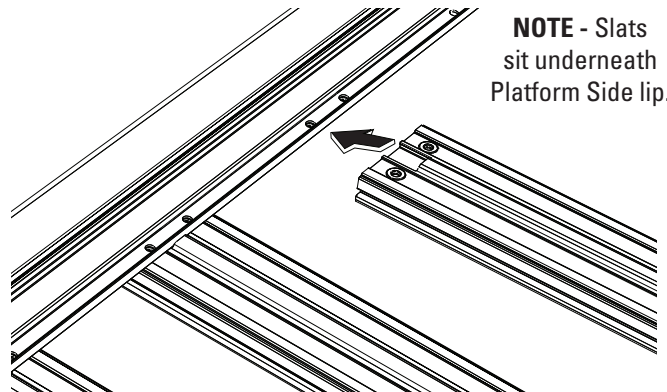
Flip Slats over.



One-by-one, slide Slats into position underneath the perimeter's inside lip. Line up rivnuts on each end of the Slat with the holes in the Platform Sides.

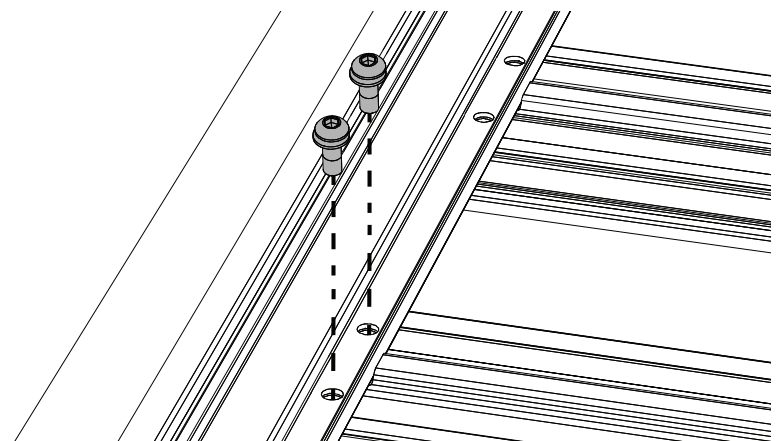
Repeat until all Slats are in place.

NOTE - Slats sit underneath Platform Side lip.

**6****SECURE SLATS**

Starting from the middle Slat and working outwards, secure each Slat end using 2 x M6 Capscrew 16 mm with Washer as shown.

Tighten all screws to 4 Nm with a 4 mm Ball End Allen Key or a suitable Torque Wrench.



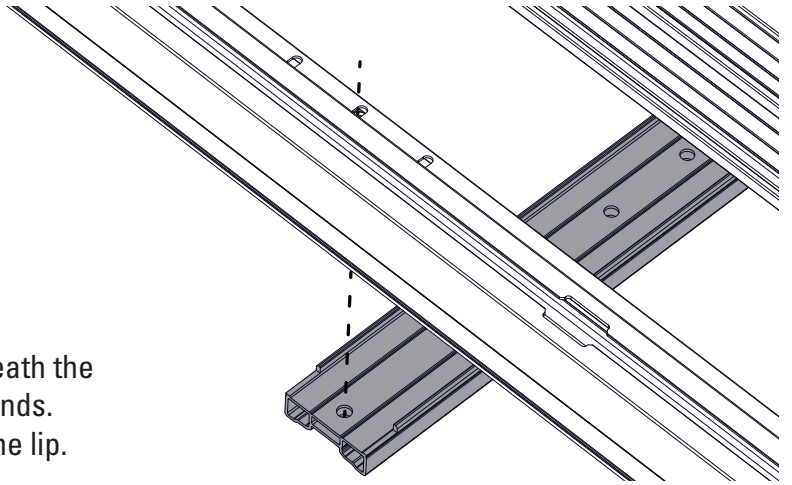
7

POSITION PLATFORM SUPPORTS

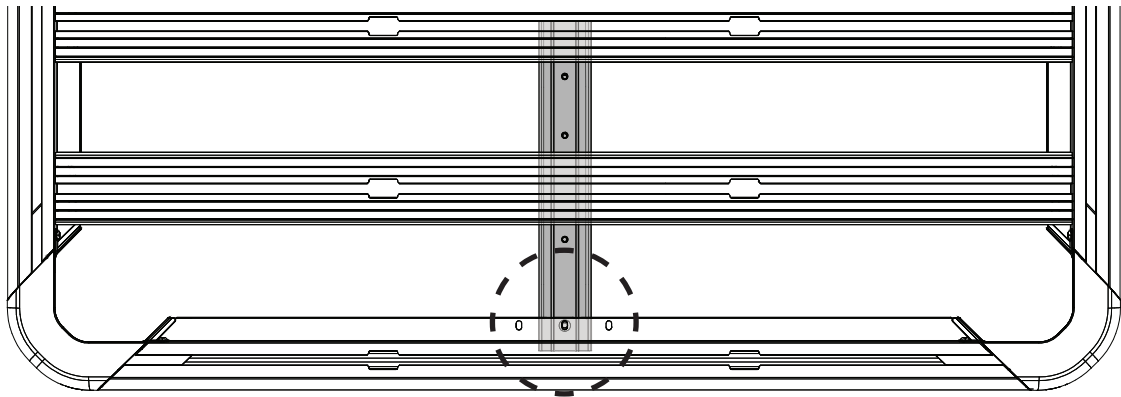
Carefully flip Platform over so it faces right way up.



Position the Platform Supports underneath the centre of the Front and Rear Platform Ends. The flat end of the Support sits under the lip.



The Platform Supports ideally should be fixed using the centre of the three holes. However, these can be offset left or right depending on the vehicle's roof or usage requirements. For instance, to prevent interference with an antenna in the centre of a vehicle roof (e.g. Nissan Navara NP300, Ford Ranger).



8

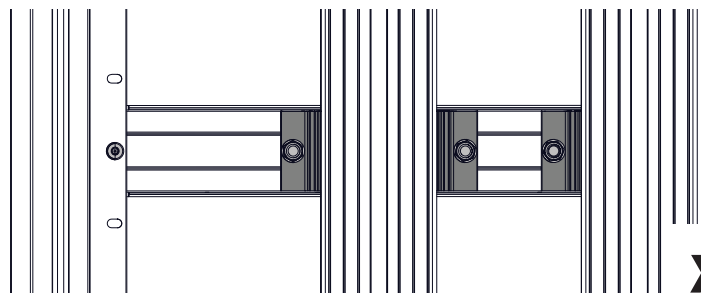
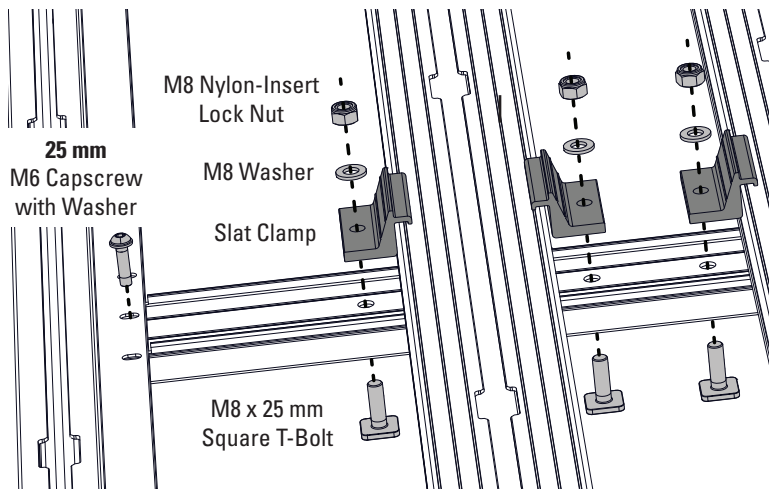
SECURE PLATFORM SUPPORTS

Position a Slat Clamp on each side of the Slat that the Support passes under as shown.

Secure Platform Support to Platform End using one M6 x 25 mm Capscrew with Washer through the middle Platform End hole.

Secure Platform Support to Slats using one M8 x 25 mm Square T-Bolt underneath, one M8 Washer and M8 Nylon-Insert Lock Nut on top of each Slat Clamp as shown.

Tighten all screws to 7 Nm with a 13 mm Socket Wrench or Spanner. Repeat for other end.



x2

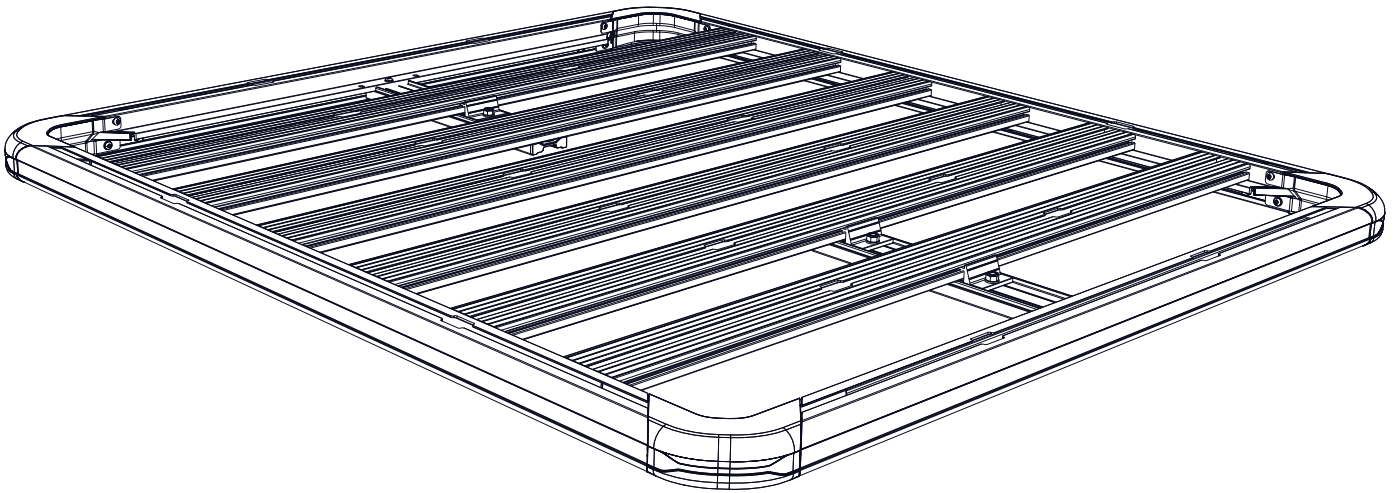
x2

9

PLATFORM ASSEMBLY COMPLETE

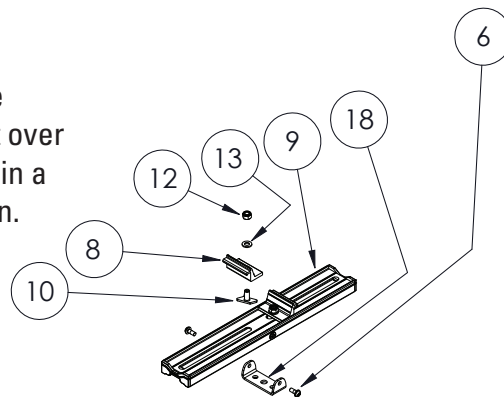
Check that the Platform has been assembled correctly as per the installation instructions.

Please refer to your vehicle specific kit instructions to mount the Platform to your vehicle.



NOTE - 6 Slat Platform shown, indicative of Platform sizes 3, 4 and 5.

NOTE - Mounting blocks and the associated hardware will be left over from the assembly. Please keep in a safe place for vehicle installation.





24 MONTH LIMITED WARRANTY

WARRANTY PERIOD:

Full 24 month warranty from date of purchase against all manufacturing defects.

WHAT DOES THE WARRANTY COVER?

Under normal usage conditions, this warranty covers:

- a. Any defect in design or manufacture which results in the product failing to perform substantially as described in authorised advertising or literature.
- b. We will either repair or replace the product at our discretion providing that the fault is found to have been caused by a design or manufacturing defect and not misuse or tampering.

Our goods come with guarantees that cannot be excluded under the Australian Consumer Law. You are entitled to a replacement or refund for a major failure and for compensation for any other reasonably foreseeable loss or damage. You are also entitled to have the goods repaired or replaced if the goods fail to be of acceptable quality and the failure does not amount to a major failure. The benefits provided to you as the consumer by this warranty are in addition to other rights and remedies available to you under the law.

THE WARRANTY DOES NOT COVER:

- a. Any damage resulting from improper use
 - b. Faulty installation or modification made during installation.
 - c. The cost of removing and reinstalling the product
 - d. Travel and /or other expenses due to customer's remote location
 - e. Transport charges and damage in transit. It is your responsibility to deliver and pick up your product, including any costs associated with the postage of your repair or replacement product. If you do freight your product we recommend that you insure against loss or damage.
 - f. Any loss directly or indirectly associated with the product failing to operate.
 - g. Damage caused by mould, insects, animals, misuse, incorrect operation, adverse weather, accidents and fair wear and tear
-

TO MAKE A CLAIM, PLEASE ENSURE YOU RETAIN YOUR SALES RECEIPT OF PURCHASE

CALL 1800 88 39 64



OUTDOOR SUPACENTRE PTY LTD
2 Stanley St Silverwater NSW, 2128
PHONE: 1800 88 39 64
www.4wdsupacentre.com.au