



Camping Toilet

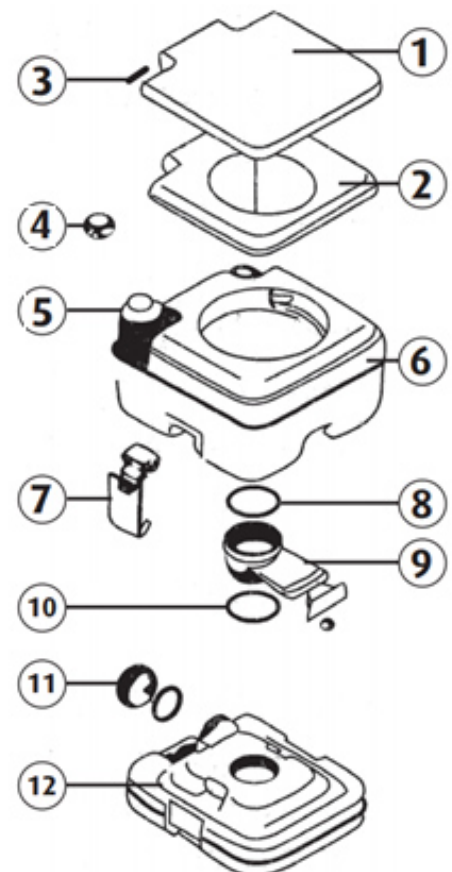
USER MANUAL

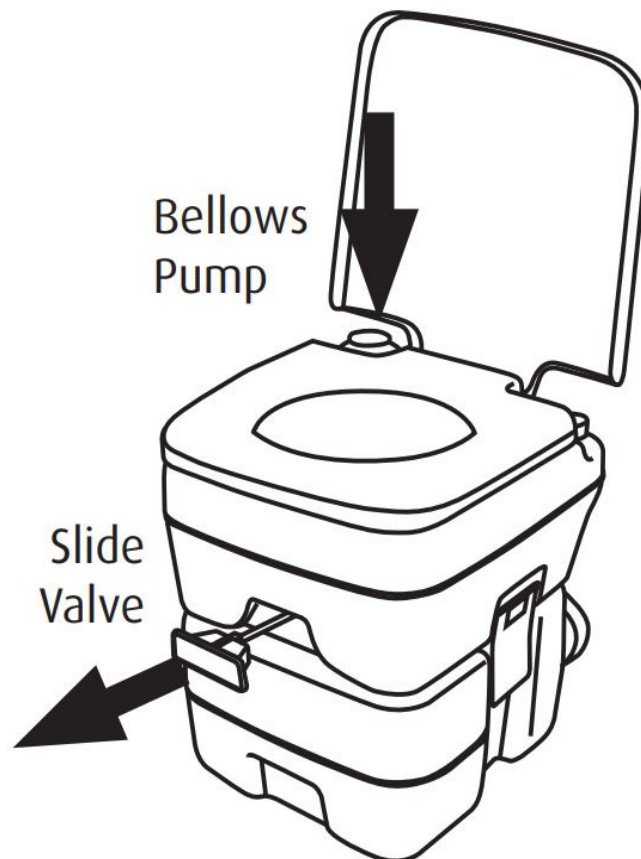
PLEASE READ AND UNDERSTAND THIS MANUAL COMPLETELY BEFORE
OPERATING & USING THE CAMPING TOILET

Safety Information:

- Take care when moving and using the Camping Toilet
- Ensure that the camping toilet is secure, on firm, level ground and will not tip over when in use.
- Do not allow children to play with the toilet
- When sitting on the toilet, never lean back on the lid.
- Avoid leaving the toilet in direct sunlight for long periods.
- Ensure sufficient water is placed in the fresh water holding tank before use.
- Do not expose the camping toilet to high temperatures or corrosive substances.
- Keep the camping toilet clear from sharp objects that could puncture the camping toilet's tanks.
- Do not add deodoriser to the fresh water holding tank.
- Do not pour deodoriser through the bowl, use the waste holding tank cap at the back of the unit.
- Take care when using deodorisers, if contact with skin occurs, wash off immediately.
- Temperature and pressure changes can cause a pressure difference between the waste holding tank and the area, take care when first opening the slide valve.

No.	Description
1	Seat Cover
2	Seat
3	Hinge Pin
4	Bellows Pump Assembly
5	Cap, Fresh Water Holding Tank
6	Fresh Water Holding Tank Assembly
7	Latch Assembly
8	Sealed C Ring
9	Slide Valve Assembly
10	Sealed D Ring
11	Cap. Waste Holding Tank
12	Waste Holding Tank





Assembling & Preparing the Camping Toilet:

1. Place the Camping Toilet on its side so that the cap for the waste holding tank is facing upwards. Remove the cap and add deodoriser to the compartment
2. Place the waste holding cap back onto the unit and tighten until firm
3. Place the toilet on its base and remove the cap for the fresh water tank. Fill with fresh water.
4. Place the fresh water tank cap back onto the unit and tighten until firm

Operation:

1. Close the slide valve on the front of the unit, by pushing it in fully.
2. Push down on the bellow pump to add water to the bowl.
3. After use, pull the slide valve out to empty the bowl.
4. Push down on the bellow pumps again to rinse the bowl.
5. Close slide valve again

Disposing of waste:

1. The waste holding tank has a 10-litre capacity, that should be emptied when its contents near the slide valve, roughly 20mm.
2. Make sure that the slide valve is pushed in and completely closed before detaching the waste tank.
3. Release the latches on both sides of the waste tank and lift the fresh water assembly tank off the waste holding tank.
4. Find a suitable location to dispose of waste and take the cap off the waste holding tank
5. Carefully pour out the contents, making sure to avoid splashing.
6. Once emptied, fill with fresh water, close the cap, and shake the tank to rinse.
7. Remove the cap and carefully pour out the rinse water.
8. See **Assembling & Preparing the Camping Toilet** to prepare the toilet for future use.

Maintenance:

1. To clean the exterior of the toilet, use a mild, non-abrasive bathroom cleaner.
2. The slide valve should be removed for cleaning, lubrication, and inspection regularly. Simply unscrew the unit to detach.

Storage:

1. Make sure all the liquid is removed from the tanks and that the unit has been cleaned.
2. Pump the bellows to flush out any water.
3. Keep stored out of direct sunlight, in a cool, well-ventilated environment.

12 MONTH LIMITED WARRANTY

WARRANTY PERIOD:

Full 12 month warranty from date of purchase against all manufacturing defects.

WHAT DOES THE WARRANTY COVER?

Under normal usage conditions, this warranty covers:

- a. Any defect in design or manufacture which results in the product failing to perform substantially as described in authorised advertising or literature.
- b. We will either repair or replace the product at our discretion providing that the fault is found to have been caused by a design or manufacturing defect and not misuse or tampering.

Our goods come with guarantees that cannot be excluded under the Australian Consumer Law. You are entitled to a replacement or refund for a major failure and for compensation for any other reasonably foreseeable loss or damage. You are also entitled to have the goods repaired or replaced if the goods fail to be of acceptable quality and the failure does not amount to a major failure. The benefits provided to you as the consumer by this warranty are in addition to other rights and remedies available to you under the law.

THE WARRANTY DOES NOT COVER:

- a. Any damage resulting from improper use
 - b. Faulty installation or modification made during installation
 - c. The cost of removing and reinstalling the product
 - d. Travel and /or other expenses due to customer's remote location
 - e. Transport charges and damage in transit. It is your responsibility to deliver and pick up your product, including any costs associated with the postage of your repair or replacement product. If you do freight your product we recommend that you insure against loss or damage.
 - f. Any loss directly or indirectly associated with the product failing to operate.
 - g. Damage caused by mould, insects, animals, misuse, incorrect operation, adverse weather, accidents and fair wear and tear
-

TO MAKE A CLAIM, PLEASE ENSURE YOU RETAIN YOUR SALES RECEIPT OF PURCHASE

CALL 1800 88 39 64



OUTDOOR SUPACENTRE PTY LTD
2 Stanley St Silverwater NSW, 2128
PHONE: 1800 88 39 64
www.4wdsupacentre.com.au

