

# 1500W Power Inverter **USER MANUAL**

PLEASE READ AND UNDERSTAND THIS MANUAL COMPLETELY BEFORE USING THE 1500W POWER INVERTER.

## Warning & Safety Information

- Power inverters pose the same potentially lethal risks that household power sockets do, and for this reason, should be treated with the same respect and caution.
- This appliance is not intended to be used by children. In addition to this, adults with reduced physical or mental capabilities, or those who are under the influence of drugs or alcohol should not operate this appliance.
- Do not insert foreign objects, of any kind, into any of the inverters sockets, fans, or vents.
- Do not expose the inverter to water, chemicals, extreme heat(40°C)/cold(0°C) or any kind of adverse weather.
- Do not, for any reason, connect the inverter to utility power.
- After extended use, the inverters housing can reach 60°C, ensure that the unit always has at least 5cm of clearance to allow for proper air flow.
- Keep clear of materials that are affected by high temperatures
- Do not use the inverter in the presence of flammable liquids, gases, or fumes.
- Do not connect live AC power to the inverter's AC outlets.
- Do not connect any AC load, which has its neutral conductor connected to the ground, to the inverter.
- The inverter should only be connected to a rated DC battery.

## Specifications

Maximum Power:	1500W
Product Size:	370 x 152 x 90 (mm)
Weight:	3.8Kg
DC Input Voltage Range:	14.40V – 11.43V
AC Output:	240V
AC Output Frequency:	50Hz
AC Output Waveform:	Pure Sine Wave
High Voltage Battery Shutdown Range:	15.5V -14.5V
Low Voltage Battery Shutdown Range:	10.5V – 9.5V

# Installation

When installing the Adventure Kings Power Inverter, ensure the location you choose includes all of these:

- Dry – Protected from moisture of any kind
- Cool – Area will remain between 0°C – 40°C
- Ventilated – There is at least 5cm of clearance around the unit, more is better.
- Clean – Free of dust, dirt, chemicals, or vapours.

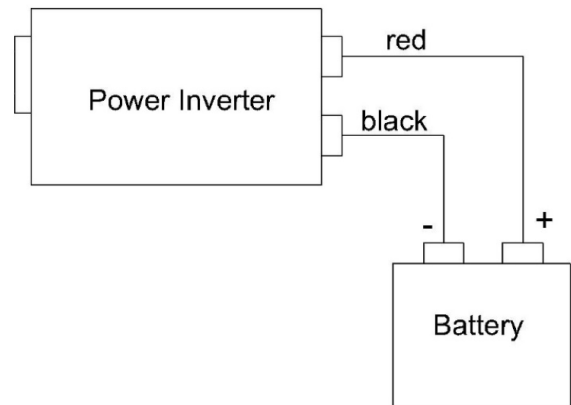
## Function and Features

### CONNECTING THE INVERTER

1. Make sure that the inverter is switched off.
2. Attach the DC connectors to the inverter, attach the positive red (+) to the positive terminal and the negative black (-) to the negative terminal.

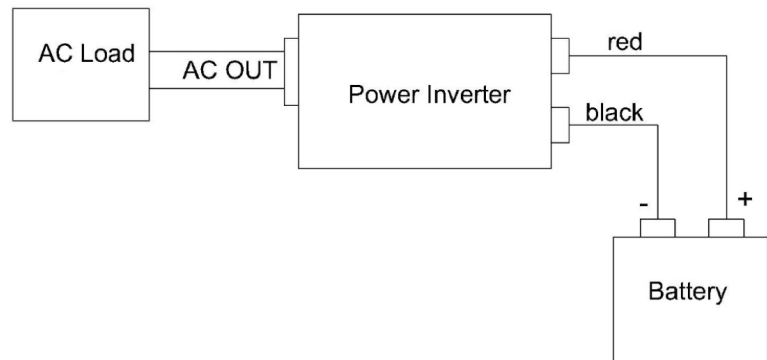
**CAUTION: Attaching the positive and negative incorrectly will result in a reverse polarity, potentially damaging the inverter & voiding warranty.**

3. Tighten the bolts on each DC terminal by hand. Do not over tighten.



## Operating the Inverter

1. With the 12V DC battery connected to the inverter, switch the power ON, a green light will indicate that the inverter is working correctly and can provide power. Turn the inverter back off.
2. Connect the AC load to the inverter and turn it on.
3. The inverter will now provide 240V AC Power to the device.
4. When the inverter is not in use, turn off and disconnect the battery.



## Vehicles batteries

If you are using a vehicle's battery to power your Adventure Kings Power Inverter, we strongly recommend using a deep-cycle battery. These batteries are designed to slowly discharge and provide low amp power over long periods.

The vehicle's cranking battery is designed to provide brief periods of high current, needed to start your engine. Slowly draining your cranking battery repeatedly will shorten its lifespan

## Protection Features

High Voltage Shutdown	If the 12V DC battery reaches 15V ( $\pm 0.5V$ ) the inverter will automatically turn off.
Low Voltage Shutdown	If the 12V DC battery reaches 10V ( $\pm 0.5V$ ) the inverter will automatically turn off.
Thermal Protection	If the temperature rises to above that for the inverter to operate safely, the inverter will turn off. When the temperature reaches a safe level, the inverter will turn back on.
Overload Protection	If the inverter detects a load power that exceeds 1500W the device will automatically turn off.
Short-Circuit Protection	If the inverter short-circuits, the fuse will disconnect, protecting the unit.

## Troubleshooting

<i>PROBLEM</i>	<i>POSSIBLE CAUSE</i>	<i>SUGGESTED SOLUTION</i>
Inverter light not turning on - no power.	Defective Battery	Replace Battery
	Loose Connection	Check Connections
	Reverse Polarity	Ensure that DC connections are correct
Inverter not providing full 1500W power	Voltage drop across cables	Shorten cables. Check that your battery has sufficient charge.
Red fault light is ON	Connected AC load exceeds 1500W	Reduce load on inverter to less than 1500W.
	Connected AC load has a starting surge that exceeds 1500W	Use load that's starting surge does not exceed inverter's capabilities,
	Low Voltage Shutdown	Recharge battery
	Thermal Shutdown	Allow unit to cool, improve air circulation around unit, relocate the inverter if required. Reduce load if continuous operation is required.
Battery discharging rapidly	AC product power consumption too high	Larger battery might be required for increase power draw.
	Battery is old or defective	Replace battery
	Battery does not have enough charge	Make sure battery is recharging correctly.

# 12 MONTH LIMITED WARRANTY

## WARRANTY PERIOD:

Full 12 month warranty from date of purchase against all manufacturing defects.

---

## WHAT DOES THE WARRANTY COVER?

Under normal usage conditions, this warranty covers:

- a. Any defect in design or manufacture which results in the product failing to perform substantially as described in authorised advertising or literature.
- b. We will either repair or replace the product at our discretion providing that the fault is found to have been caused by a design or manufacturing defect and not misuse or tampering.

Our goods come with guarantees that cannot be excluded under the Australian Consumer Law. You are entitled to a replacement or refund for a major failure and for compensation for any other reasonably foreseeable loss or damage. You are also entitled to have the goods repaired or replaced if the goods fail to be of acceptable quality and the failure does not amount to a major failure. The benefits provided to you as the consumer by this warranty are in addition to other rights and remedies available to you under the law.

---

## THE WARRANTY DOES NOT COVER:

- a. Any damage resulting from improper use
  - b. Faulty installation or modification made during installation
  - c. The cost of removing and reinstalling the product
  - d. Travel and /or other expenses due to customer's remote location
  - e. Transport charges and damage in transit. It is your responsibility to deliver and pick up your product, including any costs associated with the postage of your repair or replacement product. If you do freight your product we recommend that you insure against loss or damage.
  - f. Any loss directly or indirectly associated with the product failing to operate.
  - g. Damage caused by mould, insects, animals, misuse, incorrect operation, adverse weather, accidents and fair wear and tear
- 

TO MAKE A CLAIM, PLEASE ENSURE YOU RETAIN YOUR SALES RECEIPT OF PURCHASE

# CALL 1800 88 39 64



OUTDOOR SUPACENTRE PTY LTD  
2 Stanley St Silverwater NSW, 2128  
PHONE: 1800 88 39 64  
[www.4wdsupacentre.com.au](http://www.4wdsupacentre.com.au)

