

KINGS A D V E N T U R E



Trail Camera **USER MANUAL**

V1.4

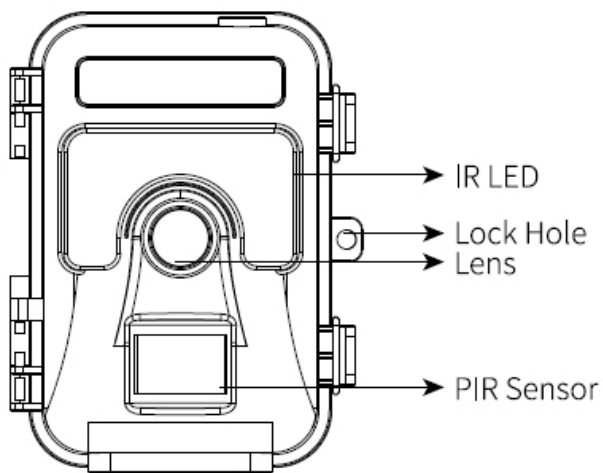
**PLEASE READ AND UNDERSTAND THIS MANUAL COMPLETELY
BEFORE USE.**

Precautions

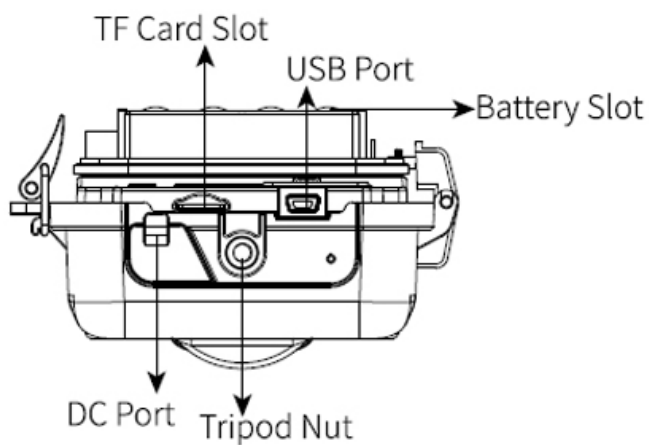
- Do not clean the camera with chemicals or solvents such as cleaning solutions or detergents.
- Do not expose the camera to magnetic fields, such as electrical motors or magnets.
- Do not expose the camera to high or low temperatures. The normal operating temperature of the camera is 0°C to 60°C (32F to 104F). High temperatures can shorten the lifespan of electronic devices and extremely high/low temperatures will shorten the battery life and/or degrade the plastic components.
- Before you start recording with the camera, format the memory card in the settings menu or on a computer to avoid potential camera or card malfunctions. Memory cards should be formatted regularly to avoid potential camera or card malfunctions.
- If dust or dirt is on the camera or on its lens, use a soft, clean and dry cloth to wipe away debris gently.
- Take care and prevent water or sand particles from entering the housing. Water, sand particles and dust containing salt may cause damage.
- Do not use a cloth to wipe sand particles. Gently blow them away then wipe the camera with a soft cloth.
- Weather resistant case is not submersible

Overview

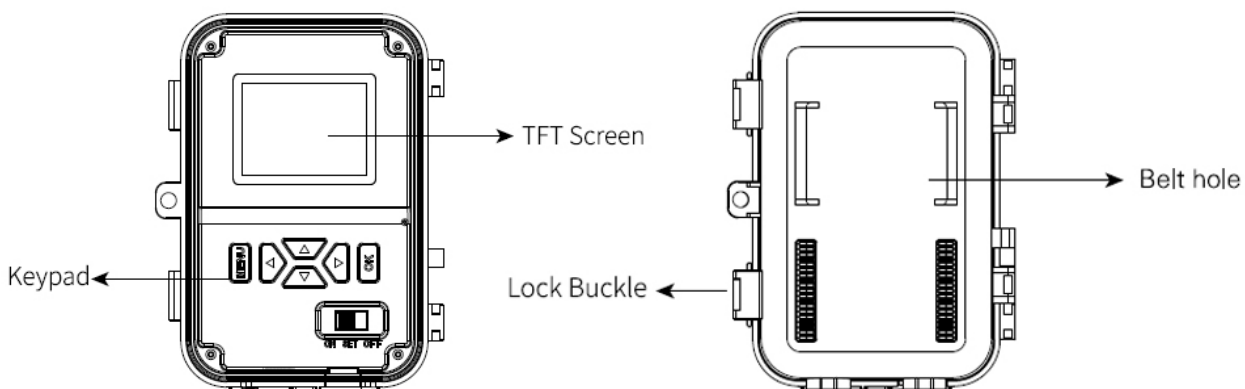
Front



Base



Back



Installing and Removing The Micro SD Card

1. Make sure the camera is off when inserting or removing the micro SD card.
2. Insert the memory card in the correct direction.
Damaged or lost data may occur if installed incorrectly.
3. To remove the micro SD card, using your fingernail, press down on the card until it clicks. It will now pop up out of the camera.

Turning The Camera ON / SET / OFF

CAMERA STANDBY MODE

Slide the power switch to the 'ON' position. Camera will then enter the stand-by mode and will automatically take videos/pictures based on the interval setting and video length setting.

TURNING OFF THE CAMERA

Slide the power switch to the 'OFF' position.

SET MODE

Slide the power switch to the 'SET' position. You can now take pictures & videos or replay photos and videos. As well as changing the camera's settings.

Capture Modes

VIDEO | PHOTO

To switch between modes, press the up or down button whilst in 'SET' mode. Once desired capture mode is selected, slide the power button to 'ON'. A 15s timer will start to indicate when the camera will start recording.

VIDEO CAPTURE MODE:

Press UP on the keypad to use this mode to capture video. Under the SET mode, press the RIGHT button to start recording, press the RIGHT button again to end recording.

PHOTO CAPTURE MODE:

Press DOWN on the keypad to use this mode to take photos. Press the RIGHT button to take a photo.

REPLAY MODE:

Use this mode to view and manage photos and videos. Press the OK button to view the recorded video, use the Up and Down buttons to scroll through the recorded video/photo files. Press the RIGHT button on the keypad to play, press the MENU for set-up options.

Camera Settings

- Press the Menu button once to access the settings menu.
- Once in the settings menu, use the Up and Down buttons to scroll through the various options.
- Press the OK button to confirm any settings options selected.
- Press the Menu button to exit.

Setting	Description	Options
Photo & Video Settings		
Mode	Sets the mode to the desired recording type	Photo / Video / Photo & Video
Photo Resolution	Sets the photo resolution to your preferred output	16M / 12M / 8M / 5M / 3M / 1M
Photo Series	Select the quantity of continuous pictures	1 / 2 / 3 Pictures
Video Resolution	Sets the video resolution to your preferred output	1080FHD 1920x1080 / 720P 1280x720 640x480 / 320x240
Timer	If set ON, the camera will automatically take photos/ videos according to the set intervals regardless if the PIR sensor has detected movement.	ON / OFF
Video Length	Sets the duration for each recording	3s – 30s
Audio Recording	Select audio	ON / OFF
Intervals	Sets a time delay between the first and second picture and/or video.	5s – 60mins
Sensitivity Motion Sensors	Sets the PIR sensing distance	Normal / High / Low
Target Recording Time	Set the monitoring period	-
Time Lapse	Set the interval between video shooting. Note: After selecting this function the PIR sensor will no longer work.	ON / OFF
Language	Set the language	-
Time & Date	Sets the date & time format	Press the OK button enter the time settings
Photo Stamp	Set to stamp recordings	Off / Date / Time & Date
Password Protection	Set a password to prevent tampering	ON / OFF
Beep Sound	Turn the beep sound ON/OFF	ON / OFF
Format Memory Card	Format the micro SD card	Yes / No (YES will format the protected files too)
Serial NO	Set a personalised serial number if using several devices over different locations	-
Default Settings	Set the Camera back to the default settings	-
Version	The software version will be displayed on the screen	-
Playback Settings		
Delete Current File	Deletes selected file	-
Delete All Files	Deletes all files on SD card	-
Activate Slide Show	Plays recorded files in a slideshow format	-
Protect Files	Lock / Unlock the current file displayed or all files. (Locked files cannot be deleted unless unlocked)	-

Specifications:

Screen	2.36 Inch TFT LCD
Sensor	3 Mega Pixel Colour CMOS
PIR Sensing Angle	60°
PIR Sensing Distance	20M
Photo Format	.JPG
Video Format	.MOV
Video Code	H.264
Video Resolution	1920x1080 1280x720 720x480 640x480
Photo Resolution	16M / 12M / 8M / 5M / 3M / 1M
Micro SD Card	Supports SD (Class 10)
USB Port	Mini 5 Pin USB 2.0
DC Power	6V / 1.5A
Battery	4 ~ 8 AA Batteries

Transferring Files to A Computer

1. Turn the camera ON and connect to a PC or MAC's USB 2.0 port via the supplied micro USB cable. The camera screen will display a connecting screen.
2. Your captured videos and images will be accessible from your computer.

Note: Alternatively, you can remove the Micro SD Card from the camera and insert the card into a card reader.

12 MONTH LIMITED WARRANTY

WARRANTY PERIOD:

Full 12 month warranty from date of purchase against all manufacturing defects.

WHAT DOES THE WARRANTY COVER?

Under normal usage conditions, this warranty covers:

- a. Any defect in design or manufacture which results in the product failing to perform substantially as described in authorised advertising or literature.
- b. We will either repair or replace the product at our discretion providing that the fault is found to have been caused by a design or manufacturing defect and not misuse or tampering.

Our goods come with guarantees that cannot be excluded under the Australian Consumer Law. You are entitled to a replacement or refund for a major failure and for compensation for any other reasonably foreseeable loss or damage. You are also entitled to have the goods repaired or replaced if the goods fail to be of acceptable quality and the failure does not amount to a major failure. The benefits provided to you as the consumer by this warranty are in addition to other rights and remedies available to you under the law.

THE WARRANTY DOES NOT COVER:

- a. Any damage resulting from improper use
 - b. Faulty installation or modification made during installation
 - c. The cost of removing and reinstalling the product
 - d. Travel and /or other expenses due to customer's remote location
 - e. Transport charges and damage in transit. It is your responsibility to deliver and pick up your product, including any costs associated with the postage of your repair or replacement product. If you do freight your product we recommend that you insure against loss or damage.
 - f. Any loss directly or indirectly associated with the product failing to operate.
 - g. Damage caused by mould, insects, animals, misuse, incorrect operation, adverse weather, accidents and fair wear and tear
-

TO MAKE A CLAIM, PLEASE ENSURE YOU RETAIN YOUR SALES RECEIPT OF PURCHASE

1800 88 39 64



OUTDOOR SUPACENTRE PTY LTD
2 Stanley St Silverwater NSW, 2128
PHONE: 1800 88 39 64
www.4wdsupacentre.com.au

