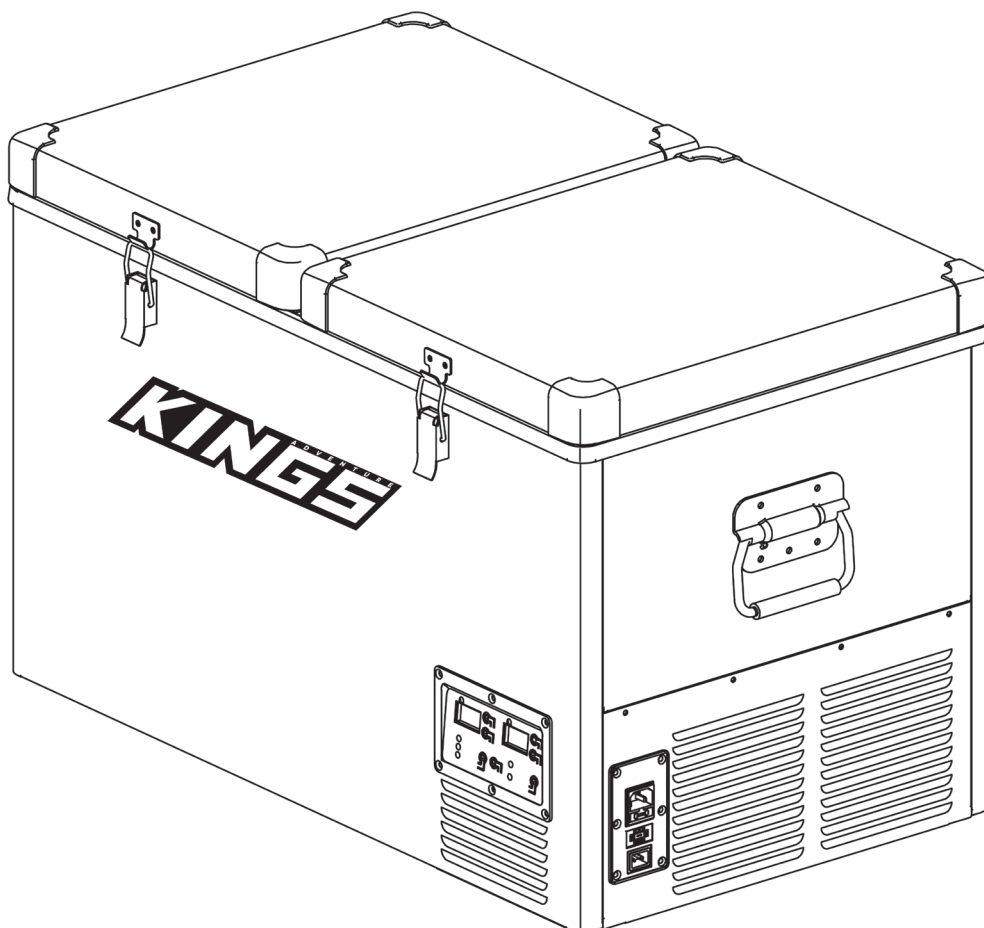




90L Fridge **USER MANUAL**

AKFR-FR90L_02



V1.1

YCD90A

**PLEASE READ AND UNDERSTAND THIS MANUAL
COMPLETELY BEFORE USING THIS PRODUCT.**

CONTENTS

1. SAFETY INSTRUCTIONS.....	3
2. OVERVIEW.....	4
3. INSTALLATION.....	5
4. POWER MANAGEMENT.....	5
5. BATTERY MONITOR/PROTECTION.....	5
6. CONNECTION INFORMATION.....	6
6.1 DC CONNECTION.....	6
6.2 AC CONNECTION.....	6
7. POWERING ON.....	7
8. ADJUSTING THE TEMPERATURE.....	7
9. MAX/MIN FUNCTION.....	7
10. ENERGY SAVINGS TIPS.....	8
11. SPECIFICATIONS.....	8
12. CELSIUS/FAHRENHEIT FUNCTION	8
13. WARRANTY CARD.....	9

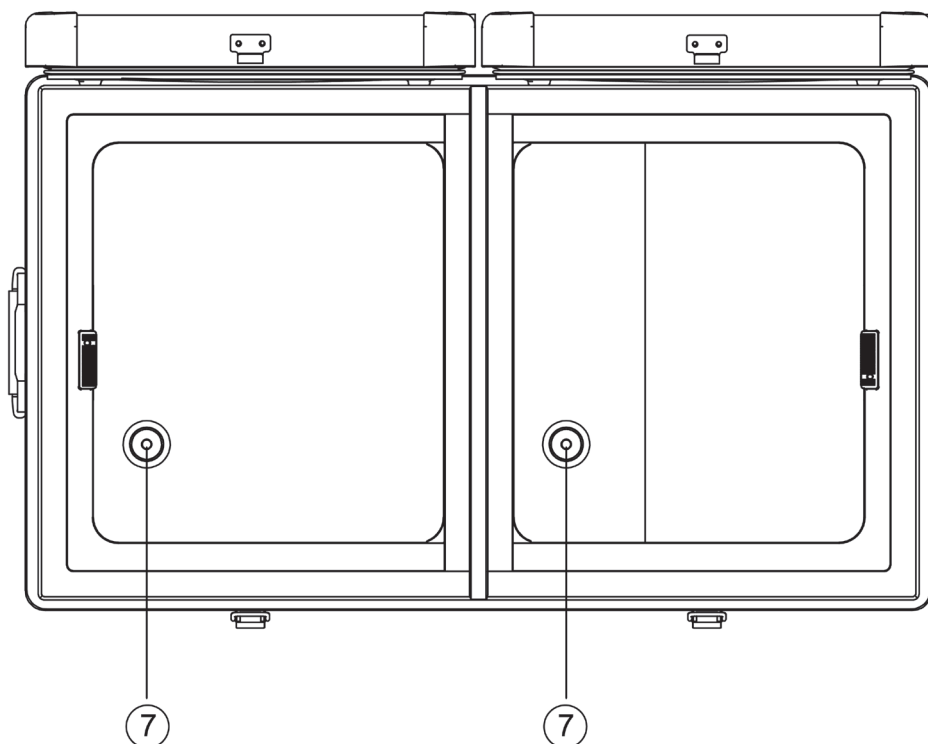
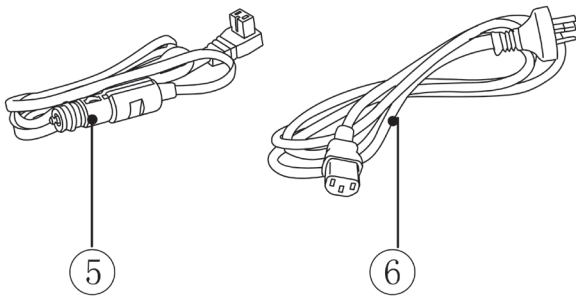
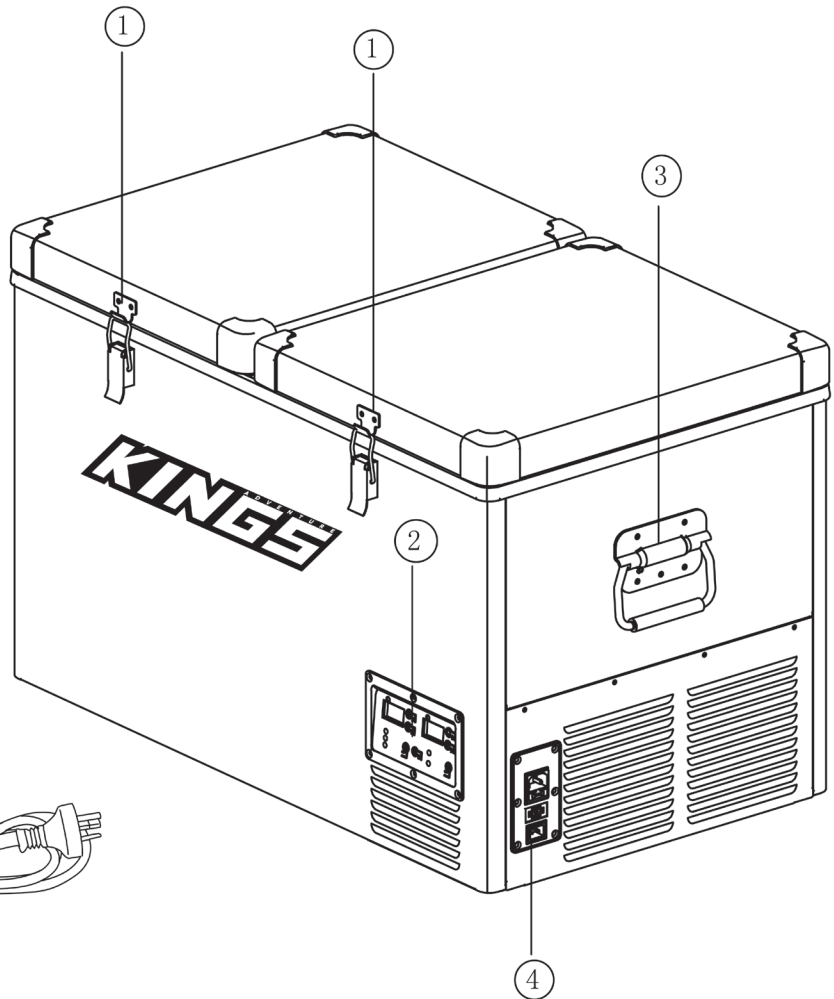


1. SAFETY INSTRUCTIONS

- Please read the user manual and safety instructions carefully before using the appliance
 - This appliance can be used by children aged from 8 years and above and persons with reduced physical, sensory or mental capabilities or lack of experience and knowledge if they have been given supervision or instruction concerning use of the appliance in a safe way and understand the hazards involved.
 - Children shall not play with the appliance.
 - Cleaning and user maintenance shall not be performed by children without supervision.
 - By ignoring the safety instructions 4WD Supacentre cannot be held responsible for the damage.
 - The use of accessories that are not recommended by 4WD Supacentre can cause injuries and will invalidate any warranty that you may have.
 - The appliance shall not be exposed to rain. Place the refrigerator on a dry, protected surface away from edges.
 - Do not use the refrigerator in uncovered, outdoor areas exposed to the elements.
 - Do not use this appliance near direct heat sources, for example, a cooker, radiator or exposing it to direct sunlight.
 - Do not place ice or liquids which are not sealed in containers within the refrigerator.
 - Do not place hot products or hot food in the refrigerator.
 - Place the products so that they do not knock against each other or break when the appliance is in motion.
 - The power cable must only be replaced by qualified technical personnel or by an assistant body authorized by the manufacturer.
 - Before carrying out any maintenance operations on the refrigerator, disconnect the power cable from the plug.
 - This appliance is suitable for camping use. In addition to this, it can also be used in households and other residential environments.
 - This appliance is intended to be used in household and similar applications such as:
 - Staff kitchen areas in shops, offices and other working environments
 - Farm houses and by clients in hotels, motels and other residential type environments
 - Bed and breakfast type environments
 - **WARNING:** Keep ventilation openings, in the appliance enclosure or in the built-in structure, clear of obstruction. Leave a space of at least 15cm across all its sides.
 - **WARNING:** Do not use mechanical devices or other means to accelerate the defrosting process.
 - **WARNING:** Do not use electrical appliances inside the food storage compartments of the appliance, unless they are of the type recommended by 4WD Supacentre.
 - **WARNING:** When positioning the appliance ensure the supply cord is not trapped or damaged.
 - **WARNING:** Do not locate multiple portable socket-outlets or portable power supplies at the rear of the appliance.
 - **WARNING:** Do not store explosive substances such as aerosol cans with a flammable propellant in this appliance.
 - **WARNING:** Do not use an extension cord.
 - **DANGER:** Risk of child entrapment. Before you throw away your old refrigerator or freezer:
 - Take off the doors.
 - Leave the shelves in place so that children may not easily climb inside.
 - **FOR SAFE DISPOSAL:** Dispose of appliance at a suitable resource and recovery centre.
- If the supply cord is damaged, it must be replaced by the manufacturer, its service agent or similarly qualified persons in order to avoid a hazard.
The products are suitable for camping use.

2. OVERVIEW

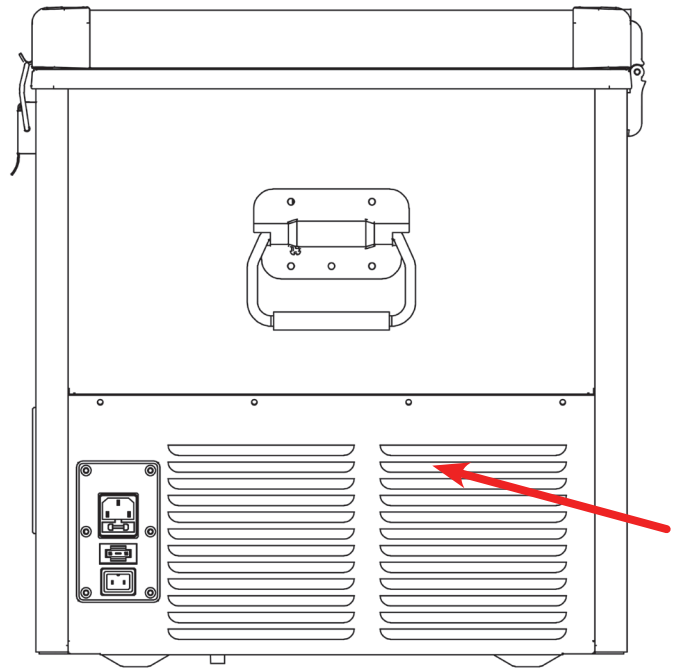
1. Lid latches
2. Control Panel
3. Carry Handle
4. Power Input Panel
5. 12V/24V DC power cable
6. 240V AC Power cable
7. Drain plug



3. INSTALLATION

It is important that your appliance is installed and operated in accordance with the manufacturers instructions to guarantee the performance, efficiency and operation.

- Position the appliance in a safe and secure location. Limit exposure to heat sources or direct sunlight which can affect the units' performance and efficiency.
- The normal operation of the appliance requires heat to be radiated away from the condenser located in the rear end of the unit. Adequate airflow is required to be available around the compressor at all times.



4. POWER MANAGEMENT

POWER REQUIREMENTS

The appliance is designed to operate on AC and DC voltage inputs.

AC INPUT	240V at 50Hz
DC INPUT	12V or 24V DC

5. BATTERY MONITOR/PROTECTION:

The device is equipped with a multi-level battery monitor that protects your vehicle battery against excessive discharging when the appliance is connected to a 12/24V supply.

If the appliance is operated when the vehicle ignition is switched off, the appliance switches off automatically as soon as the supply voltage falls below a set level.

The appliance will switch back on once the battery has been recharged to the cut in voltage level. Push, hold and release (SET) button until the desired setting is reached.

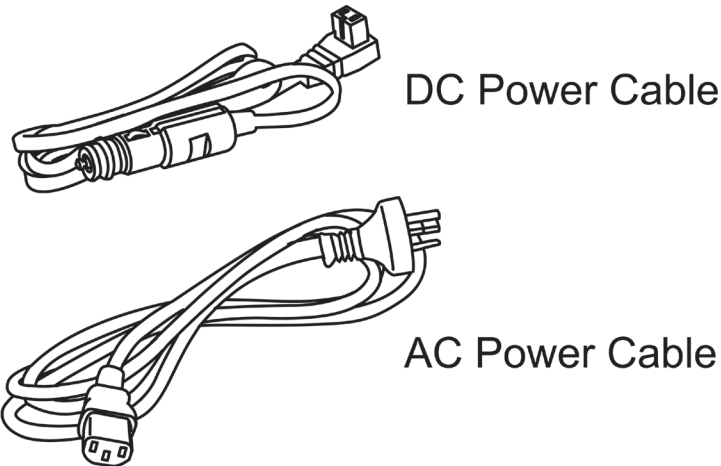
BATTERY PROTECTION	MODE	INPUT POWER: 12V	INPUT POWER: 24V
	LOW	9.6V /OFF	21.3V /OFF
		10.9V /ON	22.7V /ON
	MID	10.1V /OFF	22.3V /OFF
11.4V /ON		23.7V /ON	
HIGH	11.1V /OFF	24.3V /OFF	
	12.4V /ON	25.7V /ON	

6. CONNECTION INFORMATION

6.1 DC CONNECTION:

The unit is equipped with an electronic control system that will prevent polarity reversal. In the event that the battery connection is reversed, the unit will not start or operate. The power inlet socket is fitted with a 15A fuse for protection.

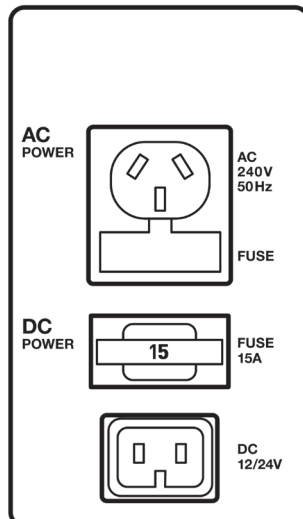
Plug the 12/24V connection cable into the DC voltage socket on the rear and then connect it to the cigarette lighter or a suitable 12V or 24V power source.



6.2 AC CONNECTION:

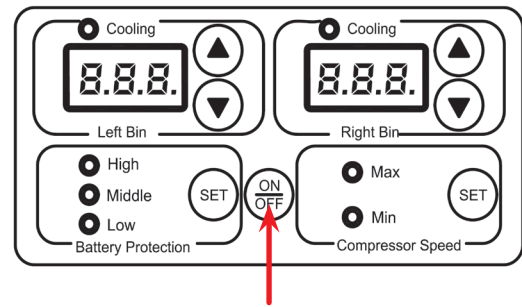
This unit is equipped with a multi-voltage power supply with a priority circuit for connecting to an AC voltage source of 240V. The power supply automatically switches to mains operation if the device is connected to 240V AC mains, even if the 12/24V connection cable is still attached. The power inlet socket is fitted with a fuse for protection.

Plug the 240V connection cable into the AC voltage socket on the rear and connect to a suitable 240V AC voltage.



7. POWERING ON

Connect to the desired input voltage and press and hold the on/off button for 2-3 seconds to turn the unit on, the display will show the current internal fridge temperature.



8. ADJUSTING THE TEMPERATURE

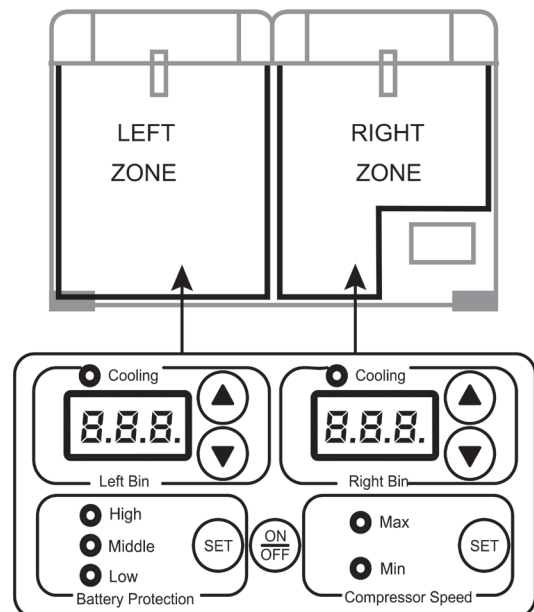
The temperature controller provides the ability to set the desired temperature level and displays information on the fridge and set temperature.

The controller has been programmed to maintain an average of the set temperature. The compressor will start up when the internal temperature increases 0.5 to 1.5 degrees above the selected temperature and will run until the temperature is 0.5 to 1.5 degrees below the set temperature.

When your appliance is first connected to the AC or DC input the digital readout will show the current temperature – the temperature shown on the “LEFT ZONE TEMP” display corresponds to the larger left zone compartment, the temperature on the “RIGHT ZONE TEMP” display corresponds to the stepped right zone compartment.

To increase fridge temperature press “up” ▲ and to decrease press “down” ▼ until the desired temperature is achieved. Once selected the display will flash a number of times before returning to the current temperature.

NOTE: The left bin can only be set to an equal or higher temperature than the right bin.



9. MAX/MIN FUNCTION

This function allows the compressor speed to be slowed down to increase operating efficiencies (MIN) or increase the compressor speed to provide “quick” cool down time (MAX).

To operate press the (SET) button to commence the “economy” operation mode, the MIN indicator will illuminate.

Press the (SET) button again to select the MAX operating mode. The MAX indicator red light will illuminate.

10. ENERGY SAVINGS TIPS:

1. Choose a well-ventilated installation location which is protected from direct sunlight and allows air to circulate around the unit.
2. Allow hot food to cool down before placing it in the fridge.
3. Do not open or leave the lid open more often than necessary.
4. If ice forms on the Internal walls or lid, defrost the appliance.
5. Select the desired temperature in relation to the intended use, avoid setting unnecessarily low temperatures.

11. SPECIFICATIONS



MODEL:	YCD90A
GROSS CAPACITY:	90 Litres
EXTERNAL DIMENSIONS (MM):	465 (H) x 520 (W) x 920 (D)
PACKING DIMENSIONS (MM):	565 (H) x 605 (W) x 1015 (D)
WEIGHT:	32KG
INSTALLED POWER:	85 watts
VOLTAGES:	DC 12V/24V AC 240V
REFRIGERANT:	R134a

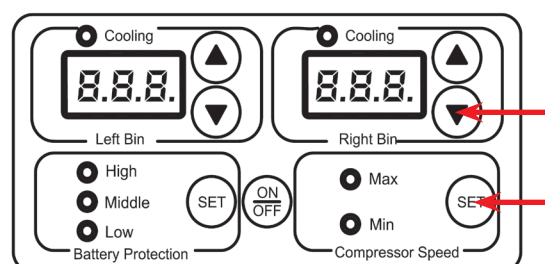
This appliance contains fluorinated greenhouse gas R134a within a hermetically sealed system and its operation depends on this gas.

Further information is provided on the technical data label attached to the appliance. This appliance is not intended for use by persons (including children) with reduced physical, sensory or mental capabilities, or lack of experience and knowledge, unless they have been given supervision or instruction concerning use of the appliance by a person responsible for their safety.

Children should be supervised to ensure that they do not play with this appliance.

12. CELSIUS/FAHRENHEIT FUNCTION

When the appliance is on, press the  and  buttons (positioned at right side of control panel) at the same time to enter the Celsius and Fahrenheit function menu.



24 MONTH LIMITED WARRANTY

WARRANTY PERIOD:

Full 24 month warranty from date of purchase against all manufacturing defects.

WHAT DOES THE WARRANTY COVER?

Under normal usage conditions, this warranty covers:

- a. Any defect in design or manufacture which results in the product failing to perform substantially as described in authorised advertising or literature.
- b. We will either repair or replace the product at our discretion providing that the fault is found to have been caused by a design or manufacturing defect and not misuse or tampering.

Our goods come with guarantees that cannot be excluded under the Australian Consumer Law. You are entitled to a replacement or refund for a major failure and for compensation for any other reasonably foreseeable loss or damage. You are also entitled to have the goods repaired or replaced if the goods fail to be of acceptable quality and the failure does not amount to a major failure. The benefits provided to you as the consumer by this warranty are in addition to other rights and remedies available to you under the law.

THE WARRANTY DOES NOT COVER:

- a. Any damage resulting from improper use
 - b. Faulty installation or modification made during installation
 - c. The cost of removing and reinstalling the product
 - d. Travel and /or other expenses due to customer's remote location
 - e. Transport charges and damage in transit. It is your responsibility to deliver and pick up your product, including any costs associated with the postage of your repair or replacement product. If you do freight your product we recommend that you insure against loss or damage.
 - f. Any loss directly or indirectly associated with the product failing to operate.
 - g. Damage caused by mould, insects, animals, misuse, incorrect operation, adverse weather, accidents and fair wear and tear
-

TO MAKE A CLAIM, PLEASE ENSURE YOU RETAIN YOUR SALES RECEIPT OF PURCHASE

1800 88 39 64



OUTDOOR SUPACENTRE PTY LTD
2 Stanley St Silverwater NSW, 2128
PHONE: 1800 88 39 64
www.4wdsupacentre.com.au