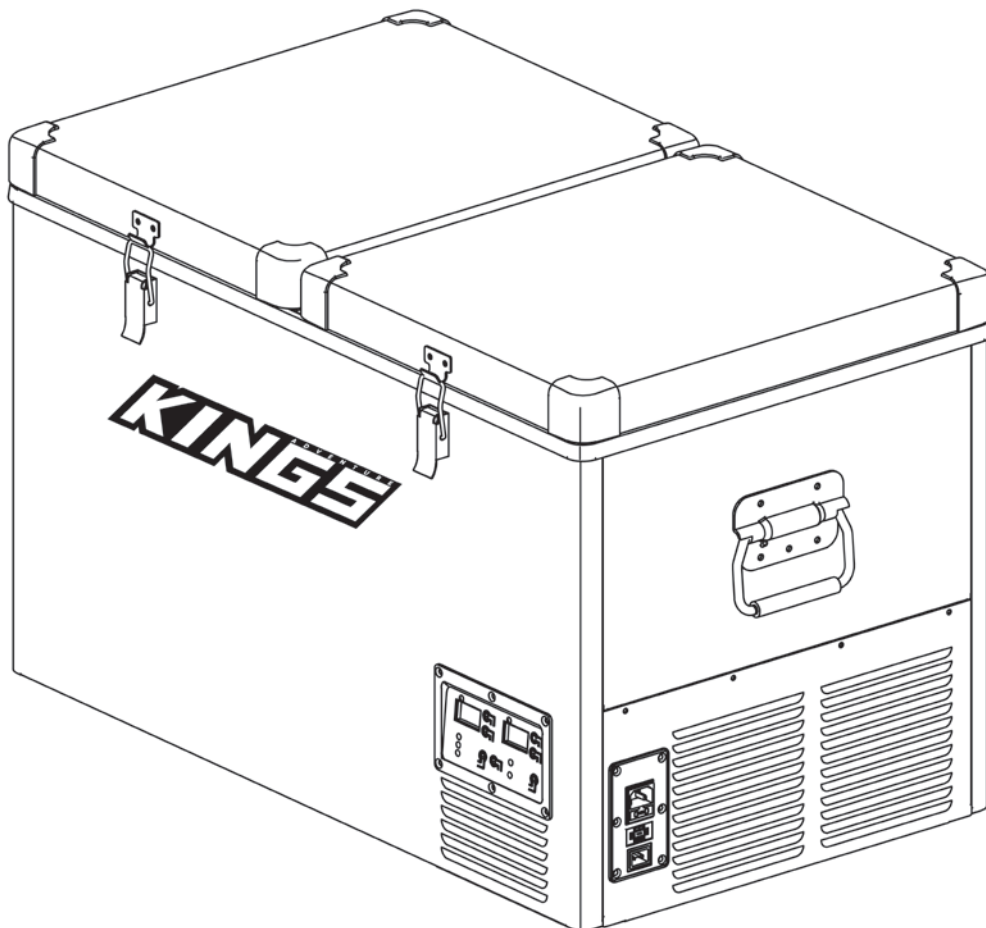




# 70L Fridge **USER MANUAL**

AKFR-FR70L\_01



V1.8

YCD70K

**PLEASE READ AND UNDERSTAND THIS MANUAL  
COMPLETELY BEFORE USING THIS PRODUCT.**

# CONTENTS

1. SAFETY.....	3
2. OVERVIEW.....	4
3. INSTALLATION.....	5
4. POWER MANAGEMENT.....	5
4.1 POWER REQUIREMENTS .....	5
4.2 DISTANCE CABLE GAUGE FOR DC INPUT.....	5
5. CONNECTION INFORMATION.....	6
5.1 DC CONNECTION .....	6
5.2 AC CONNECTION .....	6
6. POWERING ON.....	7
7. ADJUSTING THE TEMPERATURE.....	7
8. MAX/MIN SETTING.....	7
9. BATTERY MONITOR/PROTECTION.....	8
10. ENERGY SAVINGS TIPS.....	8
11. SPECIFICATIONS.....	8
12. WARRANTY CARD.....	9

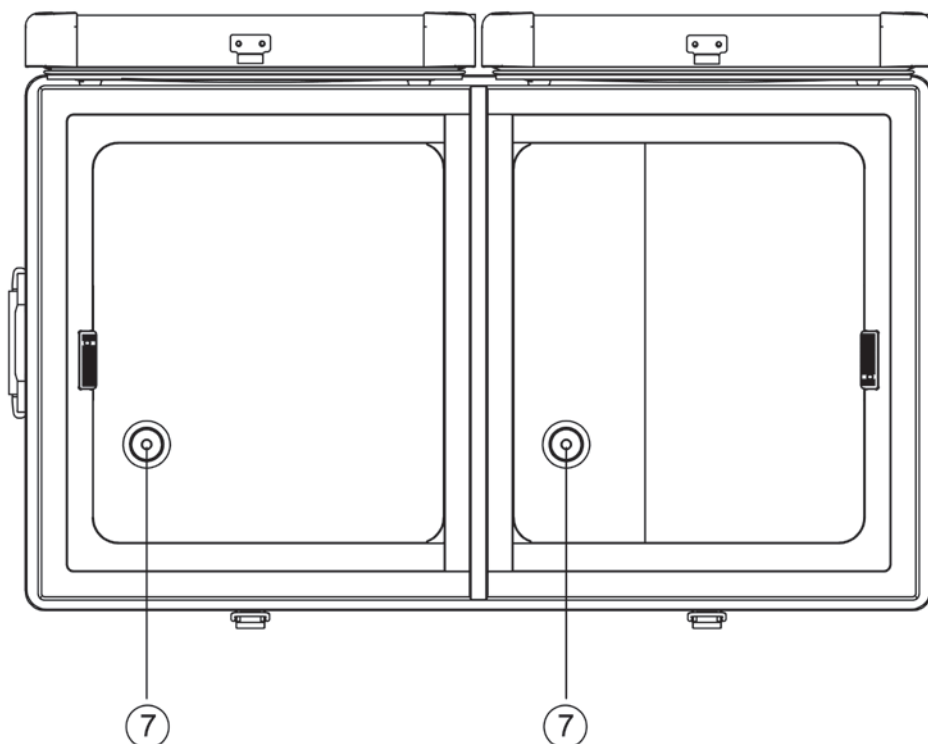
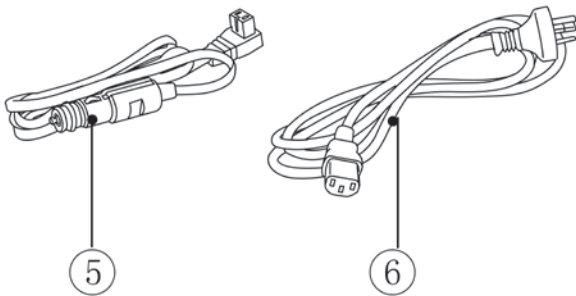
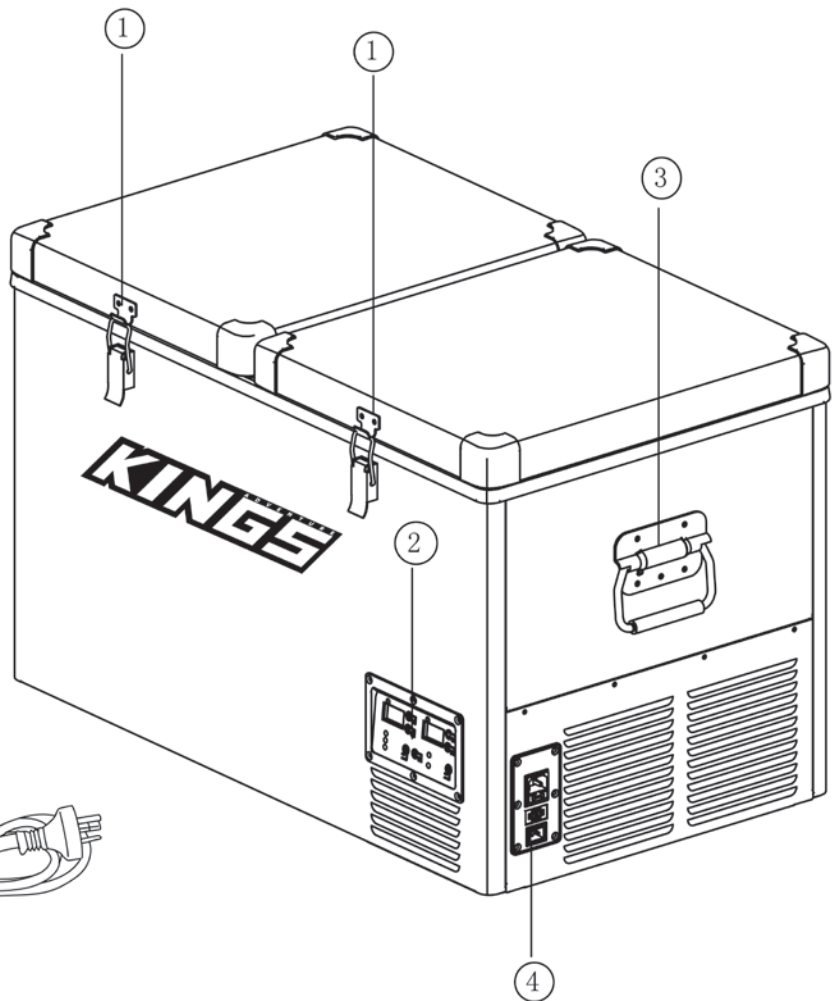


## 1. SAFETY

- Do not operate the fridge if it is visibly damaged.
- The fridge may only be repaired by qualified personnel. Inadequate repairs can lead to considerable hazards.
- Should your fridge need to be repaired, please contact customer service.
- Do not open the circuitry under any circumstances.
- The fridge is not suitable for transporting caustic materials or materials containing solvents.
- Food may only be stored in its original packaging or in suitable containers.
- Do not touch exposed cables with your bare hands.
- Before starting the fridge, ensure that the power supply line and the plug are dry.
- Do not place any electrical devices inside of the fridge.
- Set up the fridge in a dry location where it is protected against splashing water.
- Protect the fridge and the cable against rain and moisture.
- Do not place the fridge near naked flames or other heat sources (heaters, direct sunlight, gas ovens etc.)
- Never immerse the fridge in water.
- Do not fill the inner fridge with ice or fluid.
- Ensure that the fridge has sufficient ventilation at all times and that nothing could cover or hinder the ventilation slots.
- When using the fridge in a vehicle or boat ensure the circuit in use is fused and the wiring is adequate to support the current draw.
- Ensure the source of power to which you are connecting the fridge is the correct voltage.
- If equipment has damaged power cable, the power cable must be replaced by a qualified person. Unacceptable third party power cables may pose a risk and may void warranties.

## 2. OVERVIEW

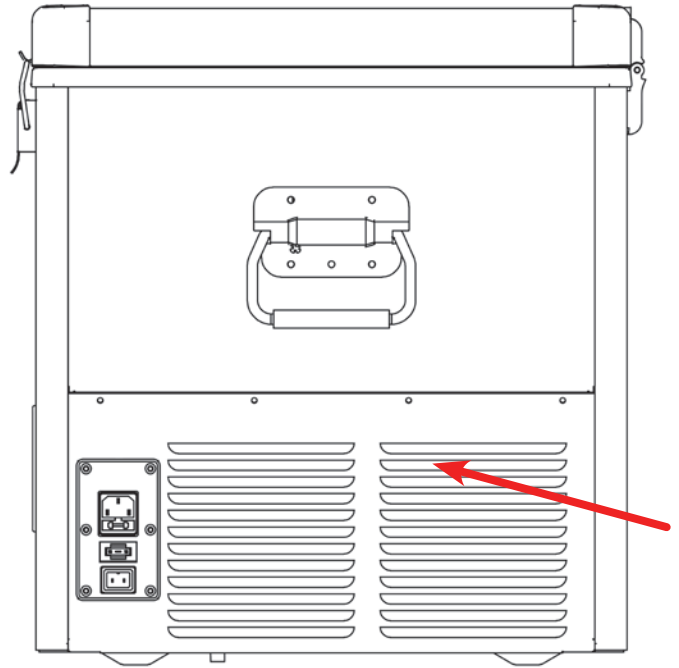
1. Lid latches
2. Control Panel
3. Carry Handle
4. Power Input Panel
5. 12V/24V DC power cable
6. 240V AC Power cable
7. Drain plug



### 3. INSTALLATION

It is important that your appliance is installed and operated in accordance with the manufacturers instructions to guarantee the performance, efficiency and operation.

- Position the appliance in a safe and secure location. Limit exposure to heat sources or direct sunlight which can affect the units' performance and efficiency.
- The normal operation of the appliance requires heat to be radiated away from the condenser located in the rear end of the unit. Adequate airflow is required to be available around the compressor at all times.



### 4. POWER MANAGEMENT

#### 4.1 POWER REQUIREMENTS

The appliance is designed to operate on AC and DC voltage inputs.

<b>AC INPUT</b>	240V at 50Hz
<b>DC INPUT</b>	12V or 24V DC

For optimum performance and efficiency, it is important that the appliance has a reliable 15A fuse protected DC supply in good condition. Direct connection to the battery is recommended and reduces the risk of voltage drop to the appliance.

It is recommended that the correct sized automotive electrical cable is used for direct connection and ensure the cable is protected by a 15A fuse; do not use resettable circuit breakers. It is important that the correct cable size is used for the installation of the DC supply as over distance the voltage can decrease if the incorrect sized cable is being used.

#### 4.2 DISTANCE CABLE GAUGE FOR DC INPUT

Use cable sets supplied with fridge. Third party cabling may void your warranty.

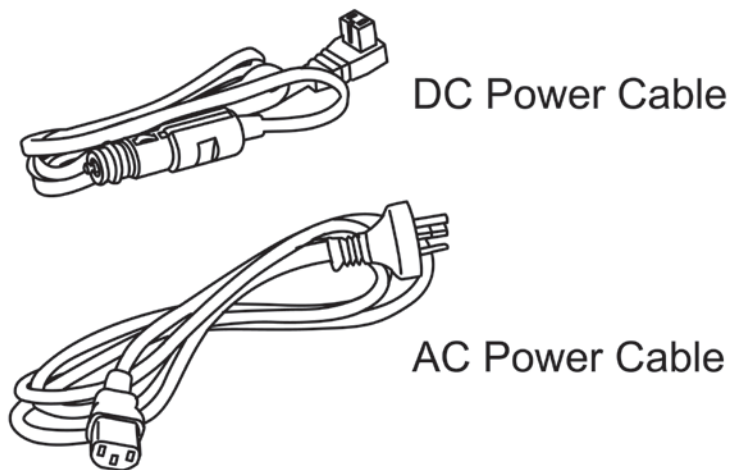
<b>4.5M OR LESS</b>	2.1mm <sup>2</sup> (AWG14)
<b>4.6M AND OVER</b>	3.3mm <sup>2</sup> (AWG12)

## 5. CONNECTION INFORMATION

### 5.1 DC CONNECTION:

The unit is equipped with an electronic control system that will prevent polarity reversal. In the event that the battery connection is reversed, the unit will not start or operate. The power inlet socket is fitted with a 15A fuse for protection.

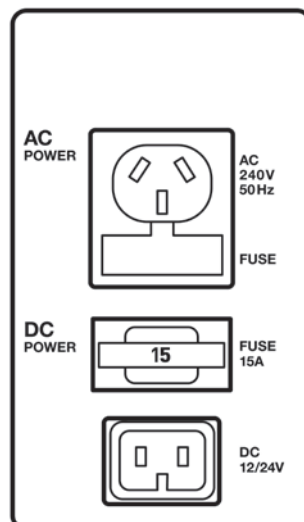
Plug the 12/24V connection cable into the DC voltage socket on the rear and then connect it to the cigarette lighter or a suitable 12V or 24V power source.



### 5.2 AC CONNECTION:

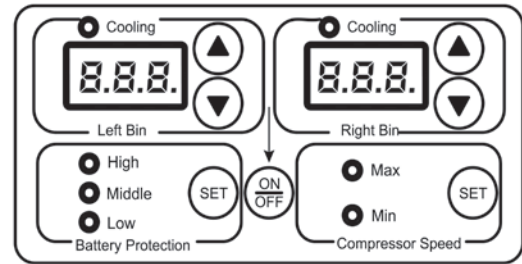
This unit is equipped with a multi-voltage power supply with a priority circuit for connecting to an AC voltage source of 240V. The power supply automatically switches to mains operation if the device is connected to 240V AC mains, even if the 12/24V connection cable is still attached. The power inlet socket is fitted with a fuse for protection.

Plug the 240V connection cable into the AC voltage socket on the rear and connect to a suitable 240V AC voltage.



## 6. POWERING ON

Connect to the desired input voltage and press and hold the on/off button for 2-3 seconds to turn the unit on, the display will show the current internal fridge temperature.



## 7. ADJUSTING THE TEMPERATURE

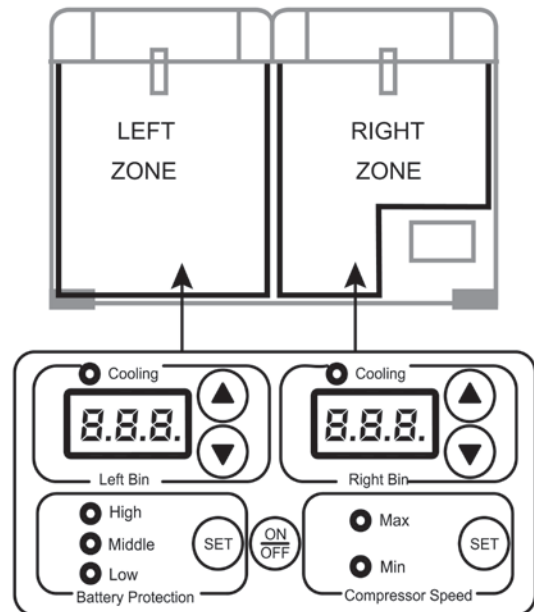
The temperature controller provides the ability to set the desired temperature level and displays information on the fridge and set temperature.

The controller has been programmed to maintain an average of the set temperature. The compressor will start up when the internal temperature increases 0.5 to 1.5 degrees above the selected temperature and will run until the temperature is 0.5 to 1.5 degrees below the set temperature.

When your appliance is first connected to the AC or DC input the digital readout will show the current temperature – the temperature shown on the “LEFT ZONE TEMP” display corresponds to the larger left zone compartment, the temperature on the “RIGHT ZONE TEMP” display corresponds to the stepped right zone compartment.

To increase fridge temperature press “up” ▲ and to decrease press “down” ▼ until the desired temperature is achieved. Once selected the display will flash a number of times before returning to the current temperature.

**NOTE: The left bin can only be set to an equal or higher temperature than the right bin.**




## 8. MAX/MIN SETTINGS

There are two modes of operation:

**MAX** = HIGH SPEED RUNNING

**MIN** = LOW SPEED RUNNING

To swap between these two settings press and hold the  button. The fridge will display via an indicator light which mode has been selected.

## 9. BATTERY MONITOR/PROTECTION:

The fridge is equipped with a multi-level battery monitor that protects your vehicle battery against excessive discharging when the appliance is connected to a 12/24V supply.

If the appliance is operated when the vehicle ignition is switched off, the appliance switches off automatically as soon as the supply voltage falls below a set level.

The appliance will switch back on once the battery has been recharged to the cut in voltage level. Push, hold and release  button until the desired setting is reached.

## 10. ENERGY SAVINGS TIPS:

1. Choose a well-ventilated installation location which is protected from direct sunlight and allows air to circulate around the unit.
2. Allow hot food to cool down before placing it in the fridge.
3. Do not open or leave the lid open more often than necessary.
4. If ice forms on the Internal walls or lid, defrost the appliance.
5. Select the desired temperature in relation to the intended use, avoid setting unnecessarily low temperatures.

## 11. SPECIFICATIONS

<b>MODEL:</b>	YCD70K
<b>GROSS CAPACITY:</b>	70 Litres
<b>EXTERNAL DIMENSIONS:</b>	790 (H) x 465 (W) x 515 (D)
<b>MAXIMUM POWER INPUT:</b>	85 watts
<b>VOLTAGES:</b>	DC 12V/24V, AC 100 - 240V
<b>REFRIGERANT:</b>	R134a

This appliance contains fluorinated greenhouse gas R134a within a hermetically sealed system and its operation depends on this gas.

Further information is provided on the technical data label attached to the appliance. This appliance is not intended for use by persons (including children) with reduced physical, sensory or mental capabilities, or lack of experience and knowledge, unless they have been given supervision or instruction concerning use of the appliance by a person responsible for their safety.

Children should be supervised to ensure that they do not play with this appliance.



# 24 MONTH LIMITED WARRANTY

## WARRANTY PERIOD:

Full 24 month warranty from date of purchase against all manufacturing defects.

---

## WHAT DOES THE WARRANTY COVER?

Under normal usage conditions, this warranty covers:

- a. Any defect in design or manufacture which results in the product failing to perform substantially as described in authorised advertising or literature.
- b. We will either repair or replace the product at our discretion providing that the fault is found to have been caused by a design or manufacturing defect and not misuse or tampering.

Our goods come with guarantees that cannot be excluded under the Australian Consumer Law. You are entitled to a replacement or refund for a major failure and for compensation for any other reasonably foreseeable loss or damage. You are also entitled to have the goods repaired or replaced if the goods fail to be of acceptable quality and the failure does not amount to a major failure. The benefits provided to you as the consumer by this warranty are in addition to other rights and remedies available to you under the law.

---

## THE WARRANTY DOES NOT COVER:

- a. Any damage resulting from improper use
  - b. Faulty installation or modification made during installation
  - c. The cost of removing and reinstalling the product
  - d. Travel and /or other expenses due to customer's remote location
  - e. Transport charges and damage in transit. It is your responsibility to deliver and pick up your product, including any costs associated with the postage of your repair or replacement product. If you do freight your product we recommend that you insure against loss or damage.
  - f. Any loss directly or indirectly associated with the product failing to operate.
  - g. Damage caused by mould, insects, animals, misuse, incorrect operation, adverse weather, accidents and fair wear and tear
- 

TO MAKE A CLAIM, PLEASE ENSURE YOU RETAIN YOUR SALES RECEIPT OF PURCHASE

# 1800 88 39 64



OUTDOOR SUPACENTRE PTY LTD  
2 Stanley St Silverwater NSW, 2128  
PHONE: 1800 88 39 64  
[www.4wdsupacentre.com.au](http://www.4wdsupacentre.com.au)