



45L & 60L FRIDGE USER MANUAL

BCD-45L & BCD-60L



BCD-45L



BCD-60L

Please read and understand this manual completely
before using this product.

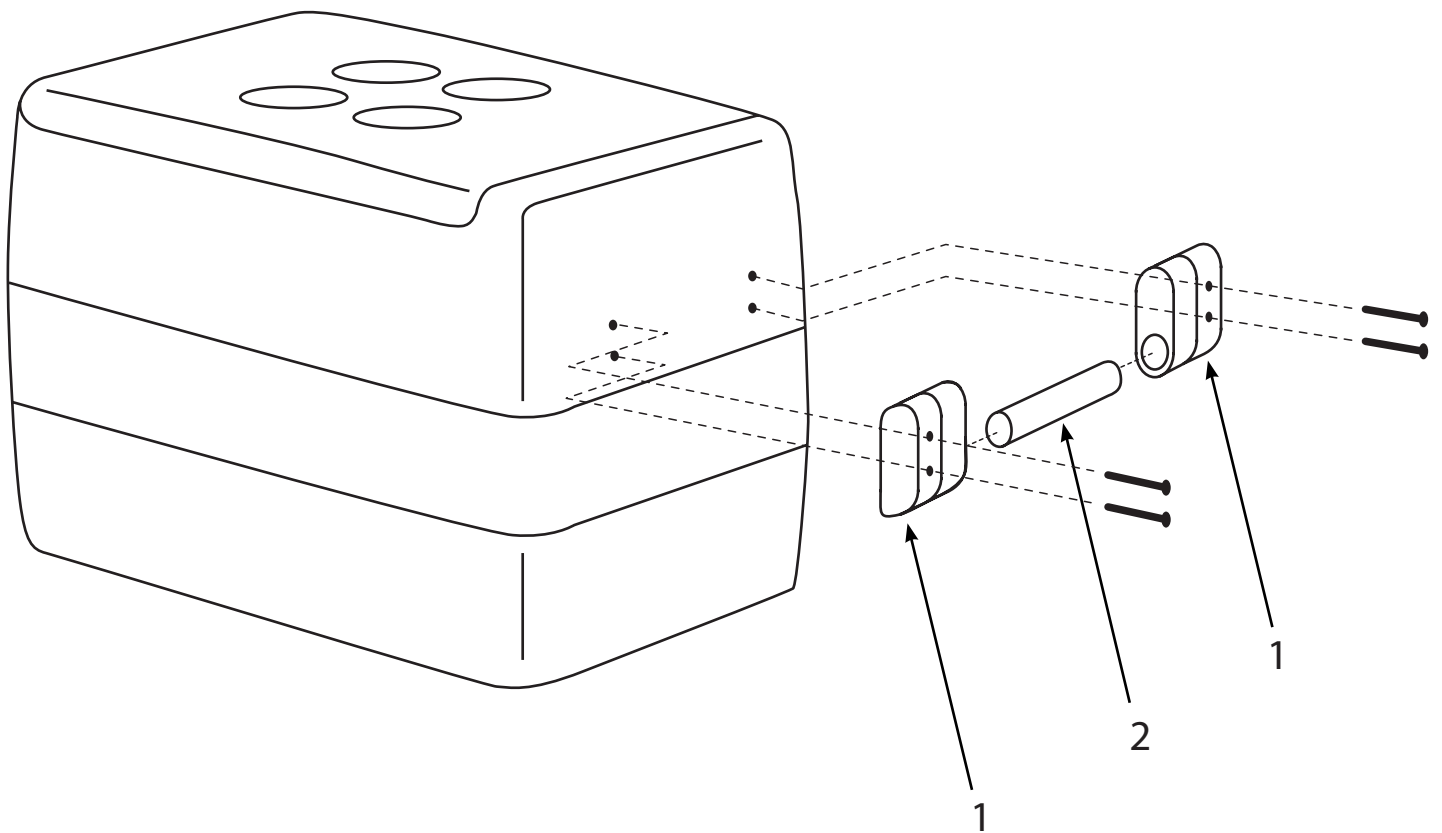


SAFETY INFORMATION:

- Do not operate the fridge if it is visibly damaged.
- The fridge may only be repaired by qualified personnel. Inadequate repairs can lead to considerable hazards.
- Should your fridge need to be repaired, please contact customer service.
- Do not open the circuitry under any circumstances.
- The fridge is not suitable for transporting caustic materials or materials containing solvents.
- Food may only be stored in its original packaging or in suitable containers.
- Do not touch exposed cables with your bare hands.
- Before starting the fridge, ensure that the power supply line and the plug are dry.
- Do not place any electrical devices inside of the fridge.
- Set up the fridge in a dry location where it is protected against splashing water.
- Protect the fridge and the cable against rain and moisture.
- Do not place the fridge near naked flames or other heat sources (heaters, direct sunlight, gas ovens etc.)
- Never immerse the fridge in water.
- Do not fill the inner fridge with ice or fluid.
- Ensure that the fridge has sufficient ventilation at all times and that nothing could cover or hinder the ventilation slots.
- When using the fridge in a vehicle or boat ensure the circuit in use is fused and the wiring is adequate to support the current draw.
- Ensure the source of power to which you are connecting the fridge is the correct voltage.

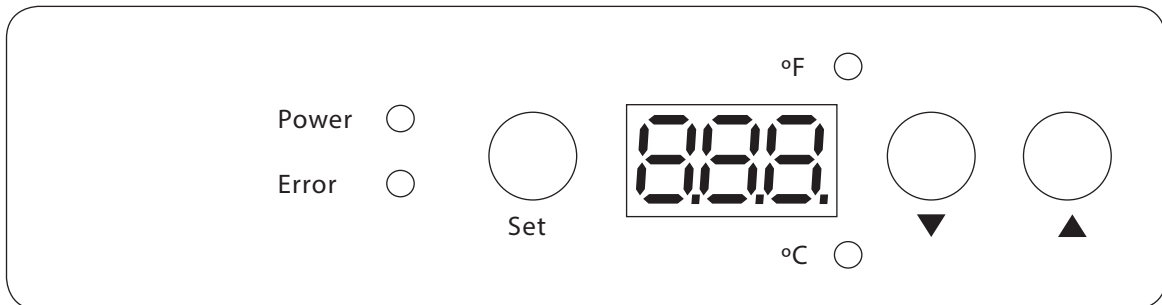
INSTALLING THE HANDLES:

1. Adventure Kings BCD-45L & BCD-60L fridges are shipped with the handles unassembled.
2. To assemble, put together the two holders (1) with a handle (2).
3. Position the holders onto the side so that the handle folds out and up.
4. Screw in all four points using the included screws and hex key.
5. Repeat for the opposite side.



ADJUSTING THE TEMPERATURE:

1. Turn the fridge on by connecting to power and switching to the 'on' setting.
2. The display will show the fridge's current internal temperature.
The fridge will start cooling to the last 'set' temperature.
3. To adjust the set temperature, press the 'set' button and the screen will begin to flash.
4. This flashing number is the temperature the fridge is currently cooling down to.
5. While flashing, press and hold either the 'up' or 'down' arrow' button to set the fridge's temperature to the desired temperature.
6. Once desired temperature is set, the number will flash five times then the display will revert to displaying the fridge's current temperature



SWAPPING BETWEEN FAHRENHEIT (°F) & CELSIUS (°C):

1. To choose between Fahrenheit and Celsius, hold down both the 'set' & 'down' arrow simultaneously.
2. The orange indicator light next to will illuminate next to the currently selected metric.

FASTER COOLING (FC) & EFFICIENT COOLING(EC) SETTINGS:

1. Adventure Kings BCD-45L and BCD-60L fridges come with two modes of operations. These options are:
 - Fc = Faster Cooling
 - Ec = Efficient Cooling
2. To swap between these settings press and hold the 'set' button for 6 seconds, then while still holding the 'set' button press either the 'up' or 'down' arrow and release both 'set' and 'up/down' simultaneously.
3. The fridge will now display either 'Fc' or 'Ec'.
4. To change between these two settings, press 'up' for 'Fc' and 'down' for Ec.
5. Once the desired setting is selected, the display will flash five times then revert to displaying the fridge's current temperature.

ADJUSTING THE LOW VOLTAGE CUT-OFF:

Adventure Kings Fridges come with three different settings for voltage cut-offs:

	1	2	3
SWITCH OFF	10.7V	11.6V	10.4V
SWITCH ON	11.6V	12.5V	11.3V

BATTERY START PROTECTION:

1. The Adventure Kings Fridges come with a 2-minute start-up delay.
This is used to not overload the battery of the vehicle when it is first starting.
2. During the 2-minute delay, the user can still adjust settings.

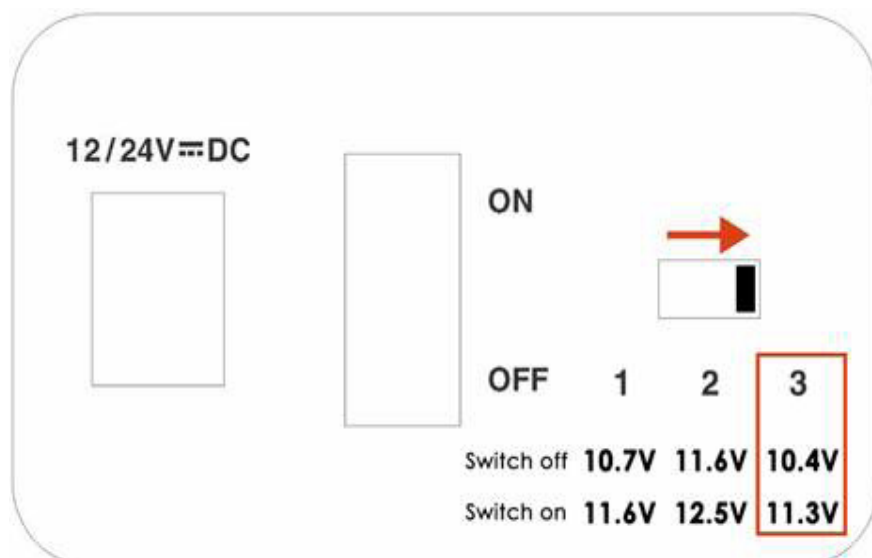
TECHNICAL INFORMATION

	BCD-45L	BCD-60L
Gross Capacity	45 litres	60 litres
Dimensions (HWL)	440 x 660 x 410	510 x 660 x 390
Voltages	12 / 24 / 240	12 / 24 / 240
Average Power Consumption	≤ 45W	≤ 52W
Temperature Range	8°C to -18°C	8°C to -18°C
Weight	20kg	22.5kg
Refrigerant Fluid	R134a	R134a

TROUBLESHOOTING - POWERING THE FRIDGE FROM 240V:

When powering the fridge from 240V, the fridge may show an error message.

To fix, simply slide the Low-Voltage Cut-Off to option 3.





24 MONTH LIMITED WARRANTY

PLEASE SEE WEBSITE FOR DETAILED INSTRUCTIONS ON HOW TO SET-UP & INSTALL YOUR 45L OR 60L FRIDGE

WARRANTY PERIOD:

Full 24 month warranty from date of purchase against all manufacturing defects.

WHAT DOES THE WARRANTY COVER?

Under normal usage conditions, this warranty covers:

- a. Any defect in design or manufacture which results in the product failing to perform substantially as described in authorised advertising or literature.
- b. We will either repair or replace the product at our discretion providing that the fault is found to have been caused by a design or manufacturing defect and not misuse or tampering.

Our goods come with guarantees that cannot be excluded under the Australian Consumer Law. You are entitled to a replacement or refund for a major failure and for compensation for any other reasonably foreseeable loss or damage. You are also entitled to have the goods repaired or replaced if the goods fail to be of acceptable quality and the failure does not amount to a major failure. The benefits provided to you as the consumer by this warranty are in addition to other rights and remedies available to you under the law.

THE WARRANTY DOES NOT COVER:

- a. Any damage resulting from improper use
 - b. Faulty installation or modification made during installation
 - c. The cost of removing and reinstalling the product
 - d. Travel and /or other expenses due to customer's remote location
 - e. Transport charges and damage in transit. It is your responsibility to deliver and pick up your product, including any costs associated with the postage of your repair or replacement product. If you do freight your product we recommend that you insure against loss or damage.
 - f. Any loss directly or indirectly associated with the product failing to operate.
 - g. Damage caused by mould, insects, animals, misuse, incorrect operation, adverse weather, accidents and fair wear and tear
-

TO MAKE A CLAIM, PLEASE ENSURE YOU RETAIN YOUR SALES RECEIPT OF PURCHASE

CALL 1800 88 39 64



OUTDOOR SUPACENTRE PTY LTD
2 Stanley St Silverwater NSW, 2128
PHONE: 1800 88 39 64
www.4wdsupacentre.com.au

